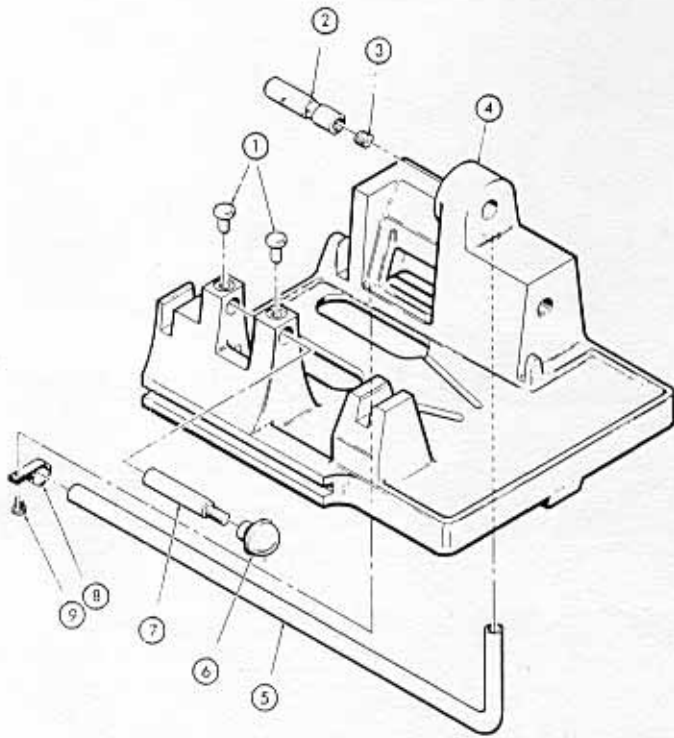


## Standard 22-A Carriage Assembly #2130

Item	Part No.	Description	Req'd
1.	1572	Pin, Die Hd. Stop, Carriage	2
2.	2132	Pin, Carriage	1
3.	13140	Plug, Pipe, 1/8"	1
4.	1571	Carriage, 22-A	1
5.	1565	Oil Tube	1
6.	—	Not on standard carriage	
7.	—	Not on standard carriage	
8.	1558	Clip, Oil Tube	1
9.	NF-503	Screw, Oil Tube Clip Att., #10-24 x 1/2" Self-Tap	1

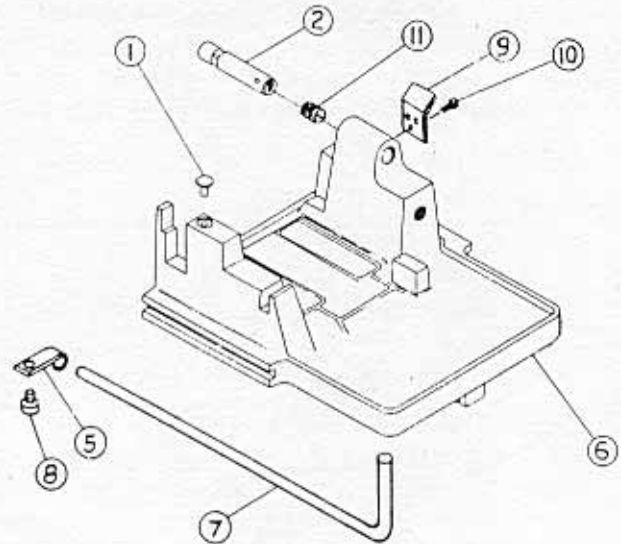
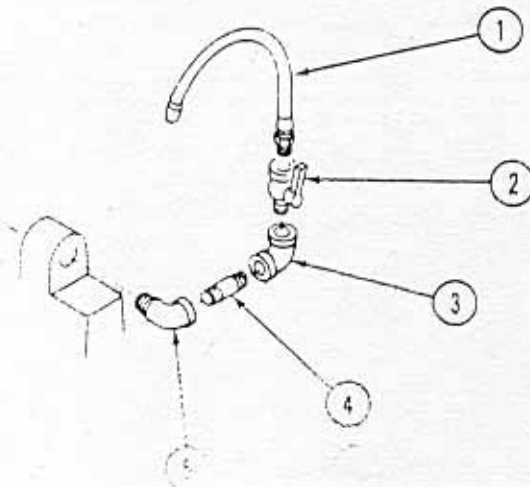
## Right and Left 22-A Carriage Assembly #12019

Item	Part No.	Description	Req'd
1.	1572	Pin, Die Hd. Stop, Carriage	2
2.	2132	Pin, Carriage	1
3.	13140	Plug, Pipe, 1/8"	1
4.	1571	Carriage, 22-A	1
5.	1565	Oil Tube	1
6.	12021	Knob, Plastic, Die Head Retainer	1
7.	1233	Pin, Locking, Die Head	1
8.	1558	Clip, Oil Tube	1
9.	NF-503	Screw, Oil Tube Clip Att., #10-24 x 1/2" Self-Tap	1



## Oil Spout Assembly #12267

Item	Part No.	Description
1.	4657	Spout, Flex, Coolant
2.	4658	Valve, Coolant Spout
3.	12270	Elbow, Pipe, 1/8" x 1/8" x 90°
4.	12169	Nipple, Pipe, 1/8" x 1 1/2" long
5.	4556	Elbow, Street, Pipe, 1/8" x 1/8" x 90°



## Special Purpose 22-A Carriage Assembly #13945

Item	Part No.	Description	Req'd
1.	1572	Carriage Stop Pin	1
2.	1608	Carriage Pin	1
3.	1558	Oil Line Clip	1
4.	1610-22-A	Carriage, Special	1
5.	1561	Oil Line	1
6.	NF-503	Screw, Oil Line Clip Att., #10-24 x 1/2" Self Tap	1
7.	1601	Die Head Stop	1
8.	G-103	Screw, Die Hd. Att. 1/4"-20 - But. Hd. Cap	3
9.	13140	Plug, Pipe, 1/8" x 1/8"	1