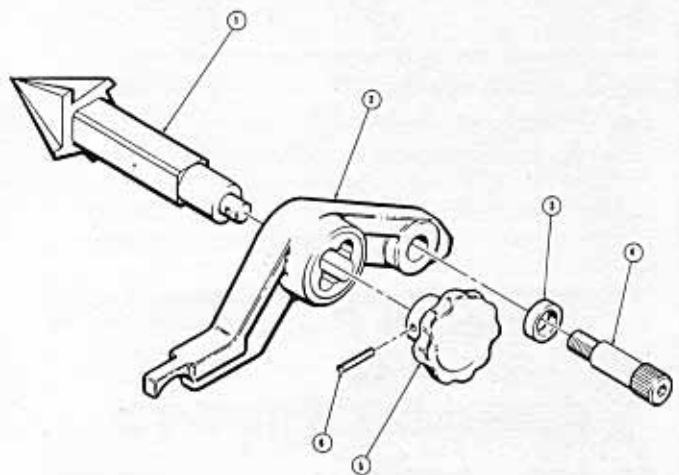
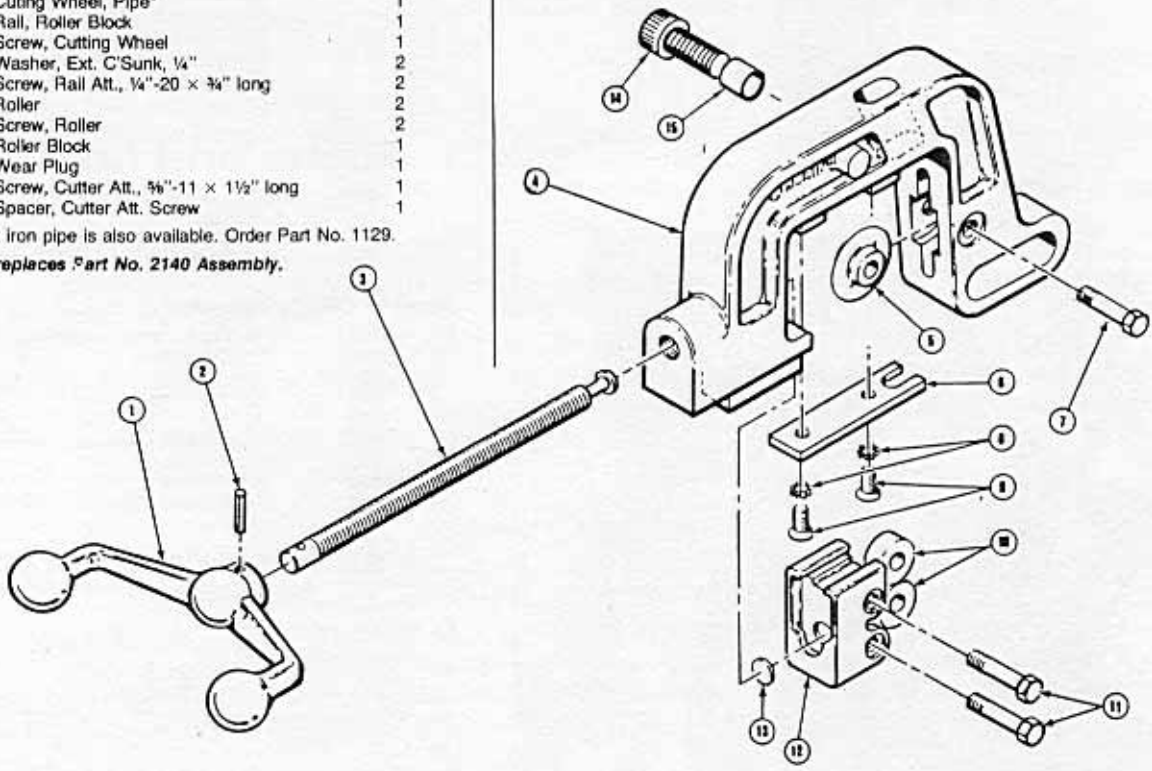


Cutter Assembly #13770

Item	Part No.	Description	Req'd
1.	1111	Handle	1
2.	P-9061A	Pin, Grooved, 1/4" x 1 3/8" long	1
3.	10073	Screw, Cutter	1
4.	13771	Body, Cutter	1
5.	1129	Cuting Wheel, Pipe*	1
6.	13772	Rail, Roller Block	1
7.	1124	Screw, Cutting Wheel	1
8.	CD-109	Washer, Ext. C'Sunk, 1/4"	2
9.	E-105	Screw, Rail Att., 1/4"-20 x 3/4" long	2
10.	10075	Roller	2
11.	10074	Screw, Roller	2
12.	10072	Roller Block	1
13.	10077	Wear Plug	1
14.	F-607	Screw, Cutter Att., 5/16"-11 x 1 1/2" long	1
15.	2139-1	Spacer, Cutter Att. Screw	1

*Cutting wheel for cast iron pipe is also available. Order Part No. 1129.
 Note: This assembly replaces Part No. 2140 Assembly.



22-A Adjustable Cone Reamer Assembly #12127

Item	Part No.	Description	Req'd
1.	13212	Reamer, Cone, 5-Flute	1
2.	1657	Holder, Cone Reamer	1
3.	2133	Spacer, Reamer Att.	1
4.	I-604-SL	Screw, Shoulder, Reamer Att., 3/4" x 1 1/2" lg. w/Nylok	1
5.	1652	Knob, Cone Reamer	1
6.	P-707	Pin, Grooved, Knob Att., 3/16" x 1 1/4"	1