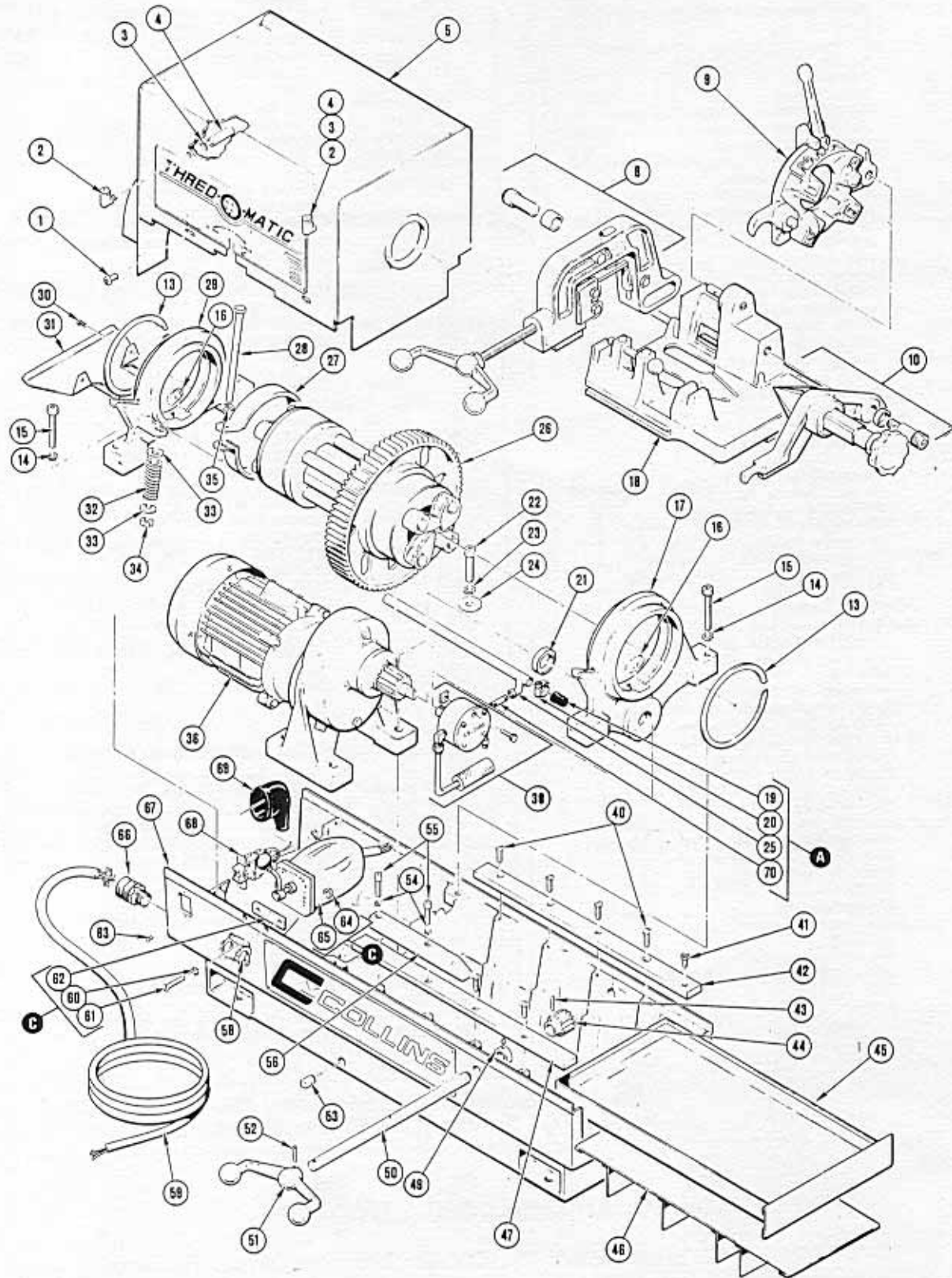


Right and Left 22-A Main Assembly, 2-Speed



PARTS LIST

Right and Left 22-A Main Assembly, 2-Speed Collins Classic

Item	Part No.	Description	Req'd	Item	Part No.	Description	Req'd
1.	G-103	Screw, Spindle Cover Att., 1/4"-20 x 1/2"	4	41.	NE-702-F	Screw, Carriage Stop, 1/4"-20 x 1/2" Self-Tap, Hex. Hd.	1
2.	12172	Oil Cup	2	42.	1229-F	Rail, Base, Rear	1
3.	CB-110	Washer, Lock, Int. Tooth, 5/16"	2	43.	U-715	Pin, Spring, Carriage Feed Gear, 3/16" x 1" lg.	1
4.	12173	Extension, Oil Cup	2	44.	1623	Gear, Carriage Feed	1
5.	12386	Cover, Spindle	1	45.	1227	Tray, Chip	1
8.	13770	Cutter Assembly (see detailed assy.)	1	46.	1984	Baffle Plate, Oil Reservoir (standard equipment on mobile models only)	1
9.	—	Die Head Assemblies (various types and sizes — see detailed assemblies)	1	47.	1229-F	Rail, Base, Front	1
10.	12127	Reamer Assembly, Cone, Adjustable	1	49.	2122	Collar, Feed Rod, Carriage (includes 1/4"-20 x 1/4" Set Screw)	1
13.	1212	Ring, Spindle Retaining	2	50.	1238	Rod, Carriage Feed	1
14.	C-113	Washer, Lock, Spindle Block Att., 1/2"	4	51.	1111	Handle, Feed Rod	1
15.	F-511	Screw, Spindle Block Att., 1/4"-13 x 2 1/2", Soc. Hd. Cap	4	52.	P-906-A	Pin, Grooved, Handle Att., 1/4" x 1 1/4" lg.	1
16.	12006	Wick, Oil Reservoir	2	53.	1020	Plug, Drain, Base, 3/4"	1
17.	1226	Spindle Block, Front	1	54.	C-109-HC	Washer, Lock, Make-On Bar Att., 1/4" Hi-Collar	2
18.	—	Carriage Assemblies (various types, see detailed assemblies)	1	55.	F-108	Screw, Make-On Bar Att., 1/4"-20 x 1 1/4" Soc. Hd. Cap	2
19.	1564	Sleeve, Seal, Oil Tube (see sub-assembly "A")	1	56.	2061	Make-On Bar	1
20.	1568	Clamp, Hose, Oil Tube Sleeve (see sub-assembly "A")	1	58.	8769	Nut, Conduit, Strain Relief Bushing, 1/2"	1
21.	1018-1	Bearing, Motor Support, Front, 203 SZZ	1	59.	12557	Cord Assembly, Electrical (8 foot)	1
22.	F-507	Screw, Motor and Gear Case Att., 1/2"-13 x 1 1/2" Soc. Hd. Cap	4	60.	CD-100	Washer, Lock, Counter Sunk, Switch Att., 1/4" Ext. Tooth (see sub-assembly "C")	2
23.	C-113-HC	Washer, Lock, Motor and Gear Case Att., 1/2" Hi-Collar	4	61.	J-914	Screw, Rotary Switch Att., #10-24 x 1 1/2" Fl. Hd. Mach. (see sub-assembly "C")	2
24.	D-106	Washer, Flat, Motor and Gear Case Att., 1/2"	4	62.	12387	Spacer, Switch Mounting (see sub-assembly "C")	1
25.	1562	Oil Line Housing (see sub-assembly "A")	1	63.	M-707	Screw, Directional Sw. Att., #6-32 x 1/2" Oval Hd. Mach.	2
26.	2100	Spindle Assembly, R&L	1	64.	B-1132	Nut, Rotary Switch Att., #10-24 Hex. Hd. (see sub-assembly "C")	2
27.	12872	Brake Shoe and Lining Assembly	2	65.	12534	Switch, Rotary (see sub-assembly "C")	1
28.	1258	Bolt, Brake Adjustment	1	13067	Boot, Protective, Rotary Switch (see sub-assembly "C")	1	
29.	1225	Spindle Block, Rear	1	66.	12556	Bushing, Strain Relief	1
30.	NF-503-F	Screw, Drip Shield Att., #10-24 x 1/2" Self Tap	2	67.	12385	Base	1
31.	12281	Shield, Motor Drip	1	68.	13340	Switch, Directional (w/Jumper Wire)	1
32.	1254	Spring, Brake Band	1	69.	12154	Cover, Directional Switch (vinyl)	1
33.	1255	Washer, Spring Seat	2	70.	12145	Nipple, 1/2" NPT x 2" Blk. Pipe (see sub-assembly "A")	1
34.	B-102	Nut, Brake Band Adj., 5/16"-18" Hex. Hd.	1				
35.	D-103	Washer, Flat, Motor Att., 5/16"	1				
36.		Three Phase Gearmotor Assembly See Page 35.	1				
39.	12277	Oil Pump Assembly (see detailed assembly)	1	A.	1557-1	Oil Line Housing Assembly	
40.	M-1107	Screw, Base Rail Att., 1/4"-20 x 3/4" Oval Hd. Mach.	6	C.	14160	Switch Assembly, Rotary	

NOTE: Sub-Assembly A (#1557-1) had been replaced with Telescopic Oil Line Kit #15040R, starting with machine serial #4225 (Aug.1997). See Pump & Oil Line Assembly on page 27.

Supermatic 2000-22A

In addition to the parts listed above, the Supermatic 2000-22A Machines contain the following items:

1. A Central Lubricating System w/oil reservoir
2. A System-On Light
3. Hour Meter