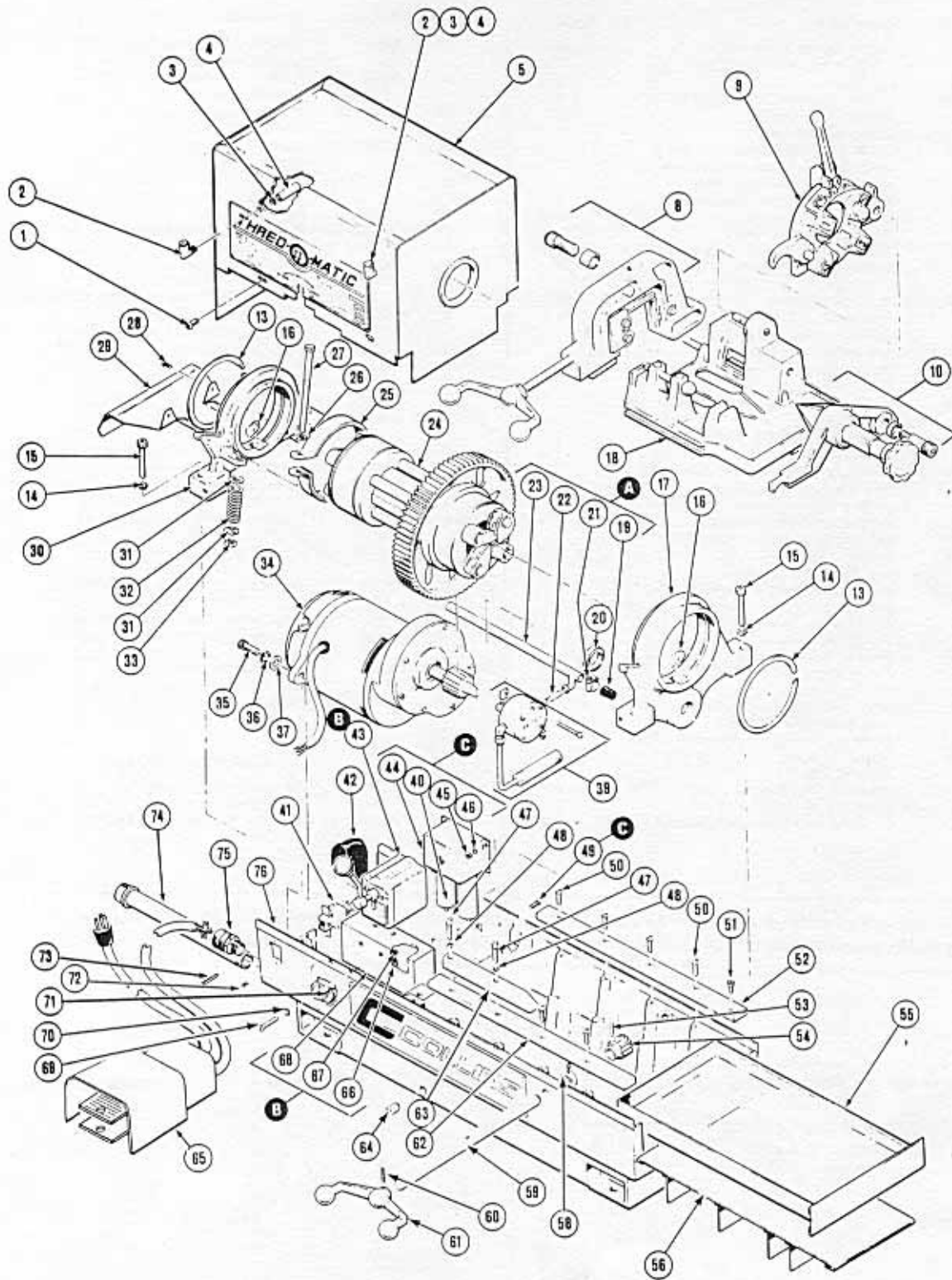


Right and Left 22-A Main Assembly



Right and Left 22-A Main Assembly

Collins Classic

Item	Part No.	Description	Req'd	Item	Part No.	Description	Req'd
1.	G-103	Screw, Spindle Cover Att., ¼"-20 x ½"	4	49.	—	(see Optional Accessories)	
		Button Hd. Cap		50.	M-1107	Screw, Base Rail Att., ¼"-20 x ¾"	6
2.	12172	Oil Cup	2			Oval Hd. Mach.	
3.	CB-110	Washer, Lock, Int. Tooth, 5/16"	2	51.	NE-702-F	Screw, Carriage Stop, ¼"-20 x ½"	1
4.	12173	Extension, Oil Cup	2			Self-Tap, Hex. Hd.	
5.	1243-1	Cover, Spindle	1	52.	1229-F	Rail, Base, Rear	1
8.	13770	Cutter Assembly (see detailed assembly)	1	53.	U-715	Pin, Spring, Carriage Feed Gear,	1
9.	—	Die Head Assemblies (various types and sizes; see detailed assemblies)	1			3/16" x 1"	
10.	12127	Reamer Assembly, Cone, Adjustable (see detailed assembly)	1	54.	1623	Gear, Carriage Feed	1
13.	1212	Ring, Spindle Retaining	2	55.	1227	Tray, Chip	1
14.	C-113	Washer, Lock, Spindle Block Att., ½"	4	56.	1984	Baffle Plate, Oil Reservoir (standard equipment on mobile models only)	1
15.	F-511	Screw, Spindle Block Att., ¼"-13 x 2½"	4	58.	2122	Collar, Feed Rod, Carriage (includes ¼"-20 x ¼" lg. Set Screw)	1
		Soc. Hd. Cap		59.	1238	Rod, Carriage Feed	1
16.	12006	Wick, Oil Reservoir	2	60.	P-906-A	Pin, Grooved, Handle Att., ¼" x 1¼"	1
17.	1226	Spindle Block, Front	1	61.	1111	Handle, Feed Rod	1
18.	—	Carriage Assemblies (various types; see detailed assemblies)	1	62.	1229-F	Rail, Base, Front	1
19.	1564	Sleeve, Seal, Oil Tube (see sub-assembly "A")	1	63.	2061	Make-On Bar	1
20.	1018-1	Bearing, Motor Support, Front 203 SZZ	1	64.	1020	Plug, Drain, Base ¾"	1
21.	1568	Clamp, Hose, Oil Tube Sleeve (see sub-assembly "A")	1	65.	13840	Switch and Cord Assembly, Foot, 115V. OR	1
22.	12145	Nipple, ¼" NPT x 2", Blk. Pipe (see sub-assembly "A")	1			Switch and Cord Assembly, Foot, 230V.	1
23.	1562	Oil Line Housing (see sub-assembly "A")	1	66.	L-1100	Screw, Switch Att., ¼"-20 x ¼" Mach.	See 2
24.	2100	Spindle Assembly, R&L	1	67.	C-109	Washer, Lock, Switch Att., ¼"	Sub- 2
25.	12872	Brake Shoe and Lining Assembly	2	68.	1345-1	Resistor Assembly, 110V. OR	Ass'y 1
26.	D-103	Washer, Flat, 5/16"	1			Resistor Assembly, 220V.	"B" 1
27.	1258	Bolt, Brake Adjustment	1	69.	M-1107	Screw, Resistor Att., ¼"-20" x ¾"	2
28.	NF-503-F	Screw, Drip Shield Att., #10-24 x ½"	1			Oval Hd. Mach.	
		Self-Tap		70.	CD-109	Washer, Lock, Counter Sunk, Resistor Att., ¼" Ext. Tooth	2
29.	1244	Shield, Motor Drip	1	71.	8769	Nut, Conduit, Strain Relief	1
30.	1225	Spindle Block, Rear	1			Bushing, ½"	1
31.	1255	Washer, Spring Seat	2	72.	M-707	Screw, Directional Sw. Att., #6-32 x ½"	2
32.	1254	Spring, Brake Band	1			Oval Hd. Mach.	
33.	B-102	Nut, Brake Band Adj., 5/16"-18	1	73.	U-918	Pin, Spring, Extension Bar Retaining, ¼" x 1½"	1
		Hex. Hd.		74.	1030	Bar Assembly, Extension	1
34.	1300	Motor and Gear Case Assembly, 110V. OR (see detailed assemblies)	1	75.	1376	Bushing, Strain Relief	1
		1300-1		76.	1241	Base	1
		Motor and Gear Case Assembly, 220V. (see detailed assemblies)	1				
35.	F-206	Screw, Motor Att., 5/16"-18 x 1"	2				
		Socket Hd. Cap					
36.	C-110	Washer, Lock, Motor Att., 5/16"	2				
37.	D-103	Washer, Flat, Motor Att., 5/16"	2				
39.	12277	Oil Pump Assembly (see detailed assembly)	1				
40.	—	(see Optional Accessories)					
41.	13340	Switch, Directional (w/Jumper Wire)	1				
42.	1246	Cover, Directional Switch (vinyl)	1				
43.	1221	Switch Assembly, For/Off/Rev (see sub-assembly "B")	1				
44.	—	(see Optional Accessories)					
45.	—	(see Optional Accessories)					
46.	—	(see Optional Accessories)					
47.	F-108	Screw, Make-On Bar Att., ¼"-20 x 1¼"	2				
		Soc. Hd. Cap					
48.	C-109-HC	Washer, Lock, Make-On Bar Att., ¼" Hi-Collar	2				

Sub-Assemblies

A	1557-1	Oil Line Housing Assembly	
B	12039	Switch & Resistor Assembly, 115V. OR	
	12038	Switch & Resistor Assembly, 230V.	
C	14154	Filter Assembly, Radio Interference Suppression per MIL-STD-826. See Optional Accessories, items #40, #44, #45, #45 and #49 listed below.	

Optional Accessories Not Included in #14037 or #13792

40.	FA-7457	Filter, RF Interference	2
44.	1339	Enclosure, Interference Filter	See 1
45.	B-132	Nut, Enclosure Att., #10-24 Hex.	
46.	CB-107	Washer, Lock, Enclosure Att., #10	Sub- 2
49.	K-908	Screw, Enclosure Att.	Ass'y 2
			"C" 1

NOTE: Sub-Assembly A (#1557-1) had been replaced with Telescopic Oil Line Kit #15040R, starting with machine serial #4225 (Aug.1997). See Pump & Oil Line Assembly on page 27.

Supermatic 2000-22A

In addition to the parts listed above, the Supermatic 2000-22A Machines contain the following items:

1. A Central Lubricating System w/oil reservoir
2. A System-On Light
3. Hour Meter