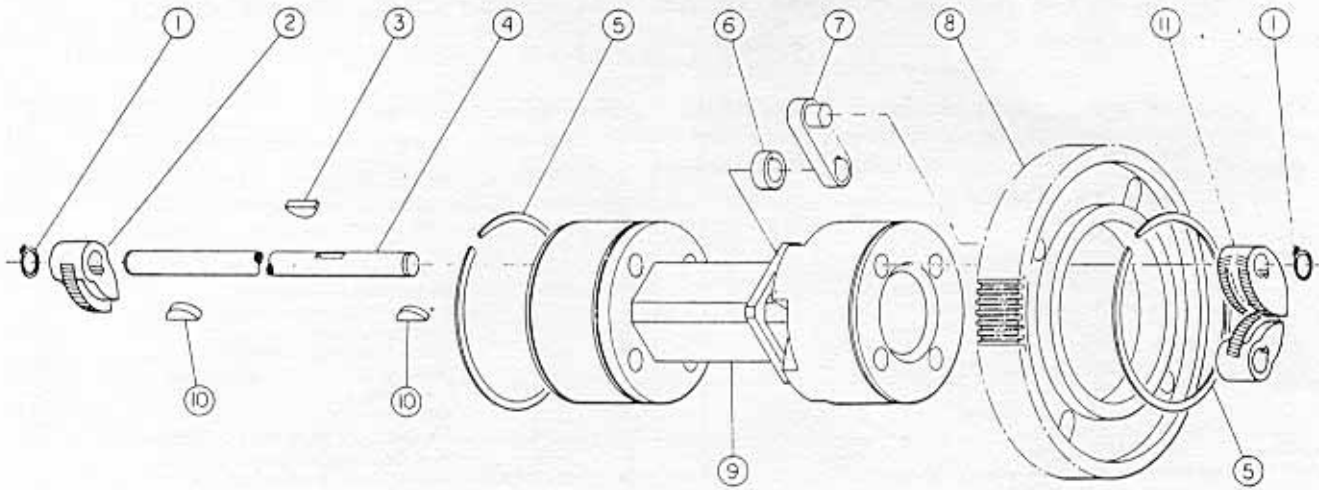


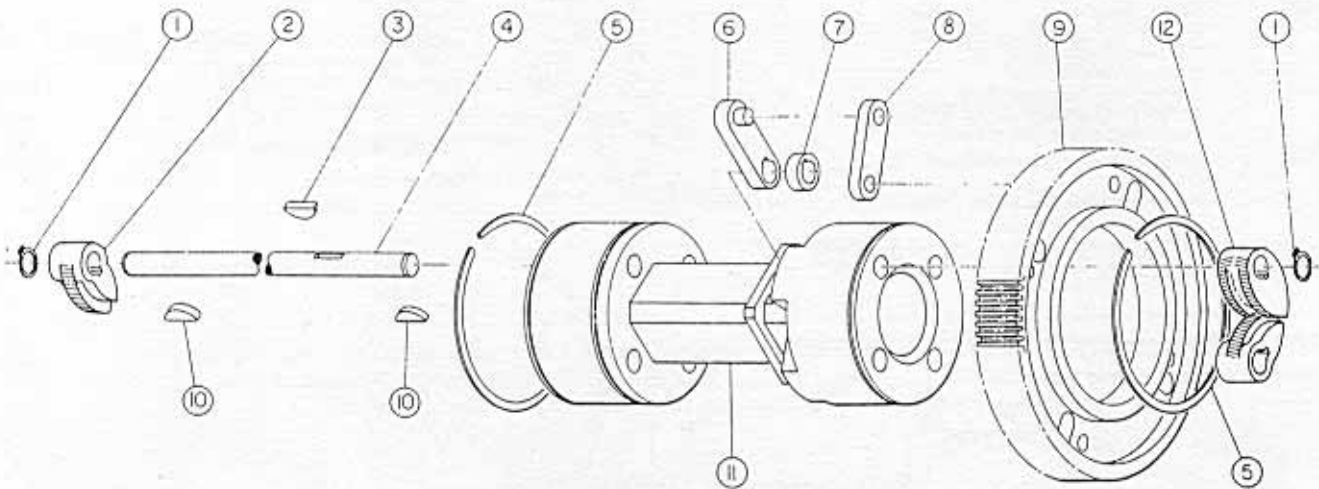
Standard 22-A Spindle Assembly #2090



Item	Part No.	Description
1.	1220	Jaw Retaining Ring (8)
2.	12182	Single Jaw (4)
3.	1218	Jaw Lever Key (4)
4.	1214	Jaw Shaft (4)
5.	1212	Spindle Retaining Ring (2)
6.	1213-4	Jaw Lever Spacer (4)

Item	Part No.	Description
7.	1230	Jaw Lever & Pin Assembly (4)
8.	1216	Spindle Gear, 104T
9.	1211	Spindle
10.	1217	Jaw Shaft Key (8)
11.	12181	Double Jaw (4)
	12180	Jaws, set of 4 narrow, 4 wide

Right and Left 22-A Spindle Assembly #2100



Item	Part No.	Description
1.	1220	Jaw Retaining Ring (8)
2.	12182	Single Jaw (4)
3.	1218	Jaw Lever Key (4)
4.	1234	Jaw Shaft (4)
5.	1212	Spindle Retaining Ring (2)
6.	1230-1	Jaw Lever & Pin Assembly (4)
7.	1213-4	Jaw Lever Spacer (4)

Item	Part No.	Description
8.	1236	Jaw Lever Link (4)
9.	1237-1	Spindle Gear Assembly
10.	1217	Jaw Shaft Key (8)
11.	1211	Spindle
12.	12181	Double Jaw (4)
	12180	Jaws, set of 4 narrow, 4 wide