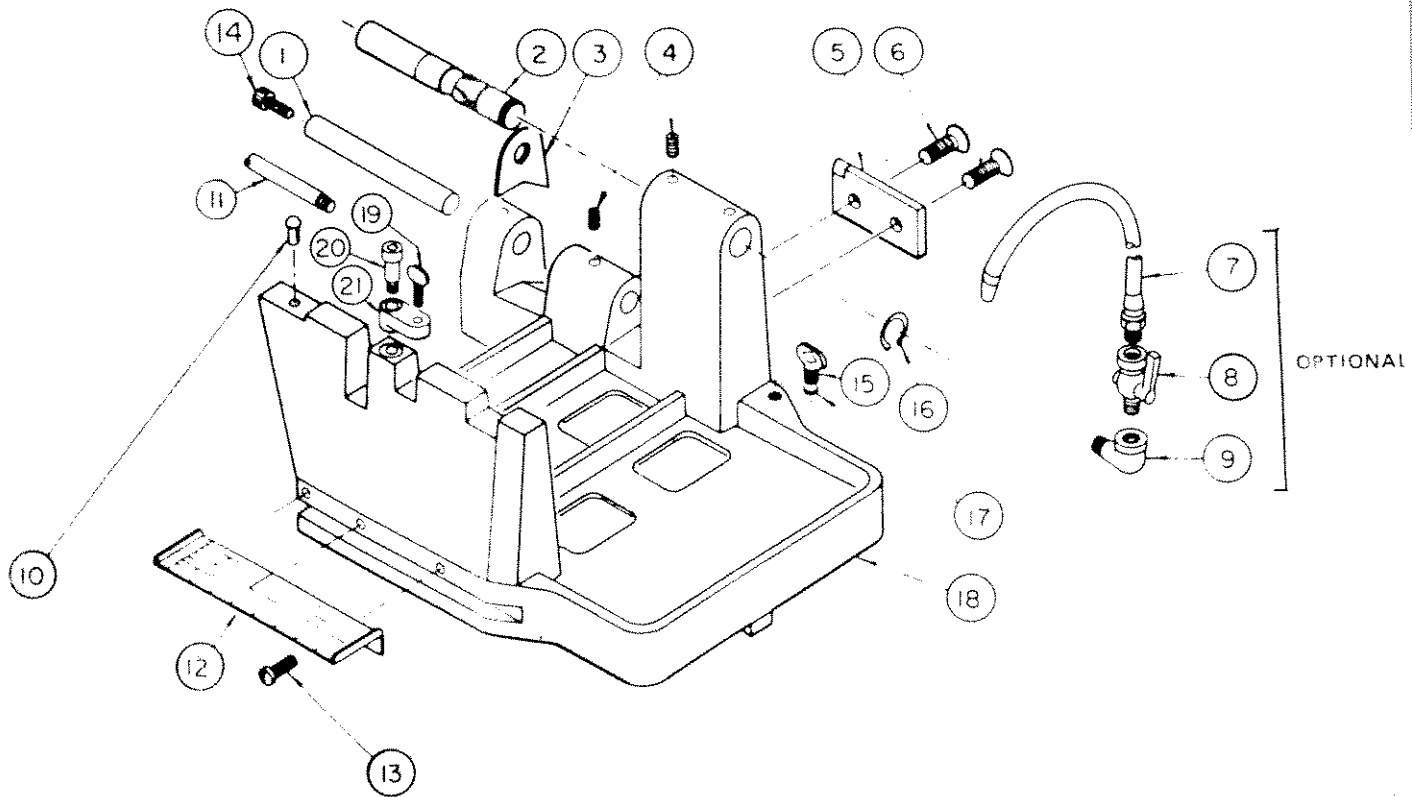


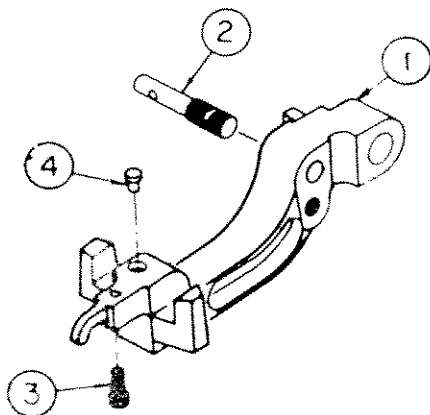
CARRIAGE ASSEMBLY NO. 12802



- | | | | |
|------------|---|----------------|--|
| 1. 4654-2 | Pin, Cutter Pivot | 11. 4563 | Tube, Telescopic, Coolant |
| 2. 4917 | Pin, Reamer and Die Head | 14. F-204 | Screw, Pivot Pin, 5/16"-18x1/4" Soc. Hd. Cap |
| 3. 4919 | Wear Plate, Cutter (2) | 15. 3404 | Thumbscrew, Carriage Locking, 3/8"-16x1" |
| 4. H-205-D | Set Screw, Pin Retaining, 5/16"-18x1/2" Hex. Socket (4) | 16. Y-5100-100 | Ring, Retaining, Blade Reamer |
| 5. 4914 | Stop, Die Head | 17. 6732 | Wear Button |
| 6. E-206 | Screw, Stop Att., 5/16"-18x1" Flat Head, Cap (2) | 18. 4916 | Carriage |
| 7. 4657 | Spout, Flexible, Coolant | *19. 12870 | Thumbscrew, 1/4-20x7/8" Lg. |
| 8. 4658 | Valve, Coolant Spout | *20. I-303 | Shoulder Screw, 3/8"x3/4" Lg. |
| 9. 4556 | Elbow, Pipe | *21. 12542 | Retainer, Die Head |
| 10. 4655 | Pin, Cutter Rest | — 12460 | Shield, Oil Drip (Not Shown) |

*Only on Right & Left Machines for Left Hand Threading.

SMALL DIE HEAD ADAPTER ASSEMBLY NO. 12372



- | | |
|----------|---|
| 1. 12239 | Adapter |
| 2. 12886 | Pin, Die Head and Reamer |
| 3. F-206 | Screw, Adapter Centering 5/16"-18x1" Soc. Hd. Cap |
| 4. 1572 | Pin, Die Head Stop |