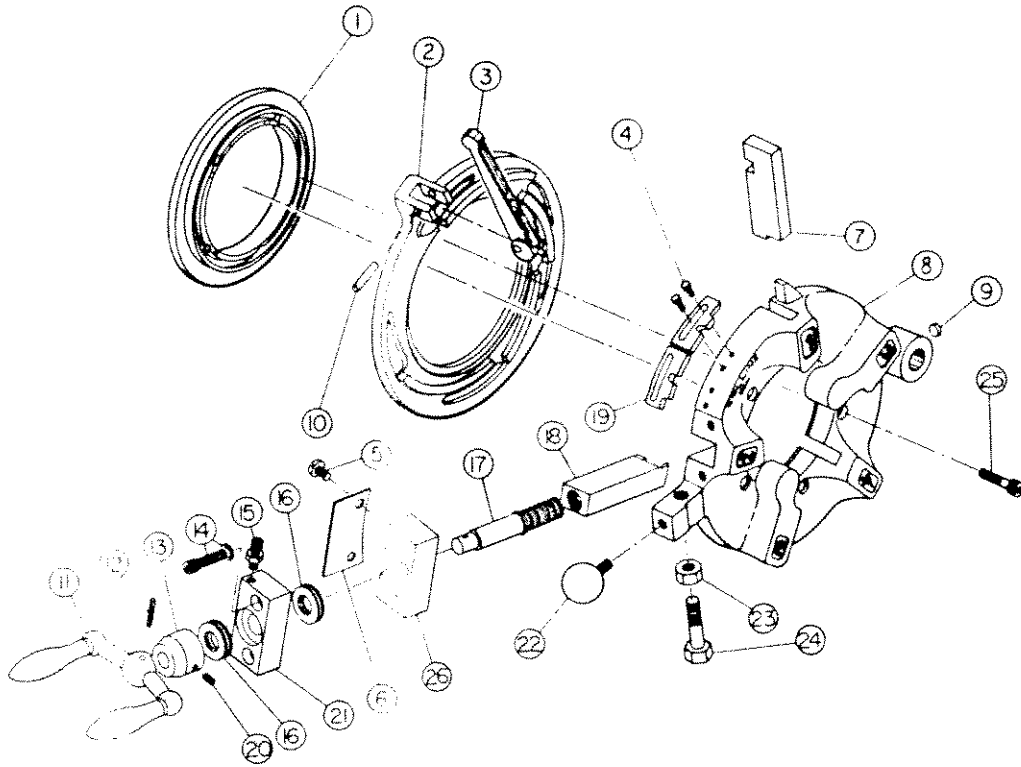


# GROOVER HEAD ASSEMBLIES 2 1/2" - 4" RANGE



- |    |         |   |     |          |  |
|----|---------|---|-----|----------|--|
| 1  | 4905    | Retainer, Scroll Plate                      | 17  | 12227    | Screw, Feed                                  |
| 2  | 12122   | Scroll Plate, 2 1/2"-4"                     | 18  | 12229-40 | Grooving Tool, Sch. 40 Pipe, 1/2"-6"         |
| 3  | 6602    | Lever, Operating includes O-406 Dowel Pin   |     | 12229-80 | Grooving Tool, Sch. 80 Pipe, 2 1/2"-6"       |
| 4  | A-102   | Screw, 1/4"-20x1 1/2" Hex Hd. Cap (4)       |     | 12224    | Beveling Tool, 37 1/2 degrees, 2 1/2"-6"     |
| 5  | L-1100  | Screw, Round Head Mach., 1/4"-20x1 1/4" (2) |     | 12213    | Double Bevel Tool, 37 1/2 degrees, 2 1/2"-6" |
| 6  | 12228   | Cover, Die Slot Extension                   |     | 12268    | Double Bevel Tool, 45 degrees, 2 1/2"-6"     |
| 7  | 12101   | Die, Centering, 2 1/2"-3" (4)               |     | 12218    | Saran Tool, 2 1/2"-6"                        |
| 8  | 12104   | Die, Centering, 3 1/2"-4" (4)               | 19. | 6609-1   | Selector Plate, 2 1/2"                       |
| 9  | 12090   | Housing, Groover                            |     | 6609-1   | Selector Plate, 3"                           |
| 10 | 12235   | Plug, Expansion                             |     | 6608-1   | Selector Plate, 3 1/2"                       |
| 11 | O-408   | Dowel Pin, 5/11"x1 1/4"                     |     | 6608-2   | Selector Plate, 4"                           |
| 12 | 12215   | Handle, Feed Screw                          | 20. | H-103-A  | Set Screw, 1/4"-20x5/16"                     |
| 13 | P-706-A | Grooved Pin, 3/16"x1"                       | 21. | 12094    | Bearing Block                                |
| 14 | 12097   | Indicator, Groove Depth                     | 22. | 4943-1   | Handle, Die Head                             |
| 15 | F-209   | Screw, Soc. Hd. Cap, 5/16"-18x1 1/4" (2)    |     | H-508-D  | Set Screw, 1/2"-13x1 1/4"                    |
| 16 | C-110-M | Lock Washer, 5/16" (2)                      | 23. | B-105-P  | Nut, 1/2"-13 Hex                             |
|    | F-105   | Screw, Soc. Hd. Cap, 1/4"-20x3/4"           | 24. | A-505-P  | Screw, 1/2"-13x1 1/2" Hex Hd. Cap            |
|    | B-101   | Nut, Std. Hex., 1/4"-20                     | 25. | F-208    | Screw, 5/16"-18x1 1/2" Soc. Hd. Cap (5)      |
|    | 12096   | Bearing Thrust (2)                          | 26. | 12226    | Extension, Die Slot                          |