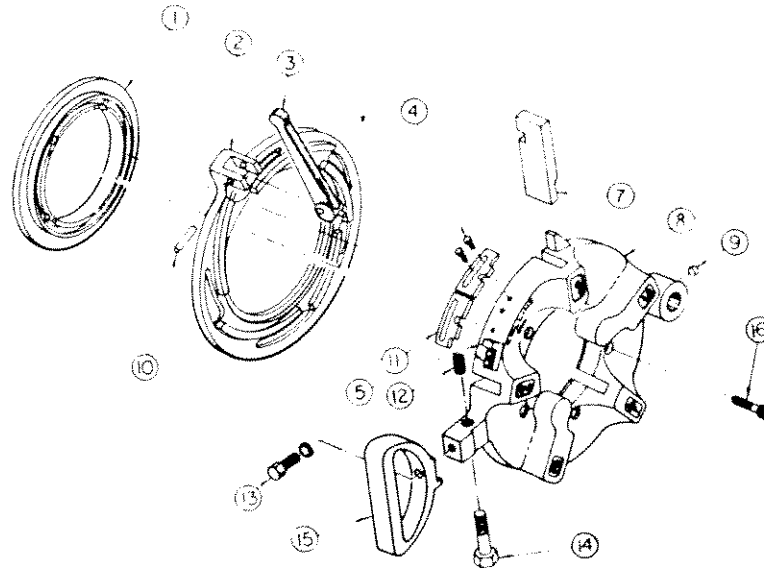


SNAP-O-MATIC DIE HEAD ASSEMBLIES 2½" - 4"

- | | | |
|----|---------|--|
| 1 | 4905 | Retainer, Scroll Plate, 3½"-4" |
| | 4906 | Retainer, Scroll Plate, 2½"-3" |
| 2 | 6601 | Scroll Plate |
| 3 | 6602 | Lever, Operating includes 0-406 Dowel Pin |
| 4 | A-102 | Screw, Selector Plate Att., ¼"-20x½" Hex Hd. Cap (4) |
| 5 | 6639 | Stop, Scroll Plate |
| | F-103 | Screw, Stop Att., ¼"-20x½" Soc. Hd. Cap (2) |
| 6 | — | |
| 7 | — | Set of (5) Dies, Specify size and type (e.g., 2½" and 3" N.P.T.) |
| 8 | 4947 | Housing, Die Head, 2½"-3" |
| | 4948 | Housing, Die Head, 3½"-4" |
| 9 | 12235 | Plug, Expansion |
| 10 | O-408 | Dowel Pin, Operating Lever |
| 11 | 6608-1 | Selector Plate, 3½" |
| | 6608-2 | Selector Plate, 4" |
| | 6609-1 | Selector Plate, 2½" |
| | 6609-2 | Selector Plate, 3" |
| 12 | H-503-D | Set Screw, Die Head Centering, ½"-13x1½" Hex. Socket |
| 13 | A-504-P | Screw, Handle Att., Hex Hd. Cap, ½"-13x1¼" |
| | C-113-M | Lock Washer, Handle Att., ½" |
| 14 | A-505-P | Screw, Die Head Centering, ½"-13x1½" Hex Hd. Cap |
| 15 | 6950 | Handle, Die Head |
| 16 | F-208 | Screw, Retainer Plate Att., 5/16-18x1½" (5) |



SNAP-O-MATIC DIE HEAD ASSEMBLIES 1/8" - 2"

DUAL SNAP-O-MATIC DIE HEADS: ½", ¾" & ¾"; 1", 1½" & 1½"; 1" & 1¼"; 1½" & 2"
 QUAD SNAP-O-MATIC DIE HEAD 1" - 2"

- | | | |
|----|---------|---|
| 1 | F-053 | Die Head Soc. Hd. Cap Screw, 10-24x¾" (4) |
| | C-107HC | Lockwasher, Hi Collar, No. 10 |
| 2 | 1433 | 1"-2" Retainer Plate |
| | 1673 | ½"-¾" Retainer Plate |
| 3 | 1632 | 1"-2" Scroll Plate |
| | 1642 | ½"-¾" Scroll Plate |
| 4 | 1633 | Operating Lever |
| 5 | O-406 | Operating Lever Pivot Dowel Pin, 5/16"x1½" |
| 6 | 1634-1 | 1"-1¼"-1½" Selector Plate |
| | 1635-1 | 1" Selector Plate |
| | 1635-2 | 1½" Selector Plate |
| | 1636-1 | 1½" Selector Plate |
| | 1636-2 | 2" Selector Plate |
| | 1644-1 | 1½" Selector Plate |
| | 1644-2 | ¾" Selector Plate |
| | 1645 | ¾" & ¾" Selector Plate |
| | 1646 | ¾" Selector Plate |
| 7 | G-103 | Selector Plate Att. Button Hd. Cap Screw, ¼"-20x½" (4) |
| 8 | F-107 | Scroll Plate Stop Soc. Hd. Cap Screw, ¼"-20x½" |
| 9 | 13113 | Scroll Plate Spacer |
| 10 | 1631 | 1"-2" Die Head Housing |
| | 1641 | ½"-¾" Die Head Housing |
| 16 | 1431-1 | Die Head Pin |
| 17 | — | Set of (4) Dies, Specify Size and Type (e.g., 1½" N.P.T.) |
| 18 | 13385 | Ball |
| 19 | 12220 | Spring |
| 20 | 12135 | Expansion Plug |

