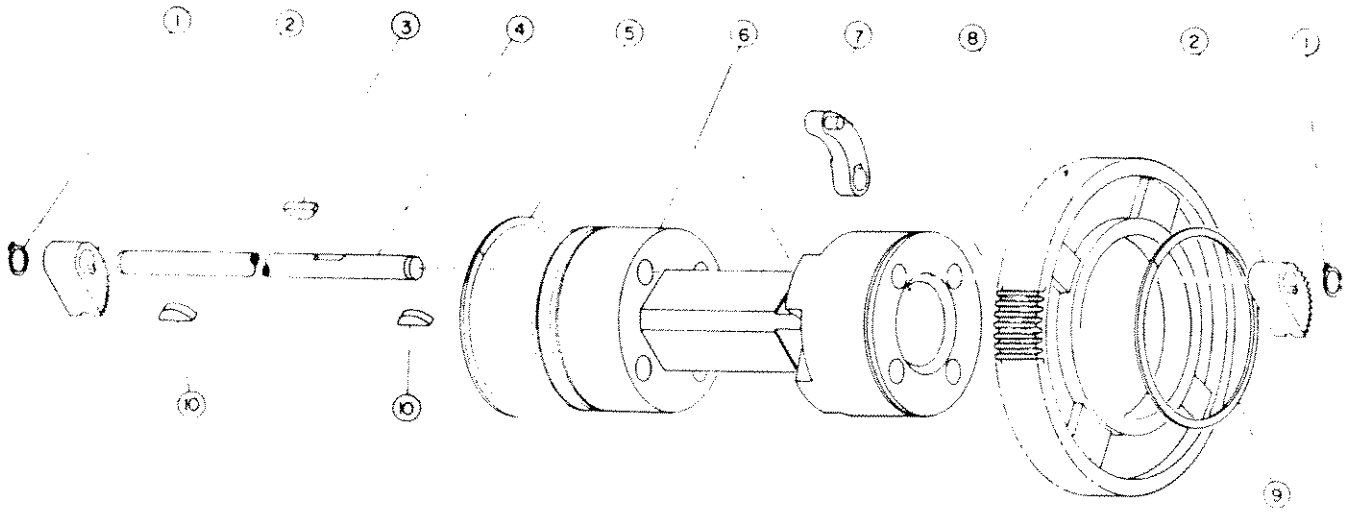


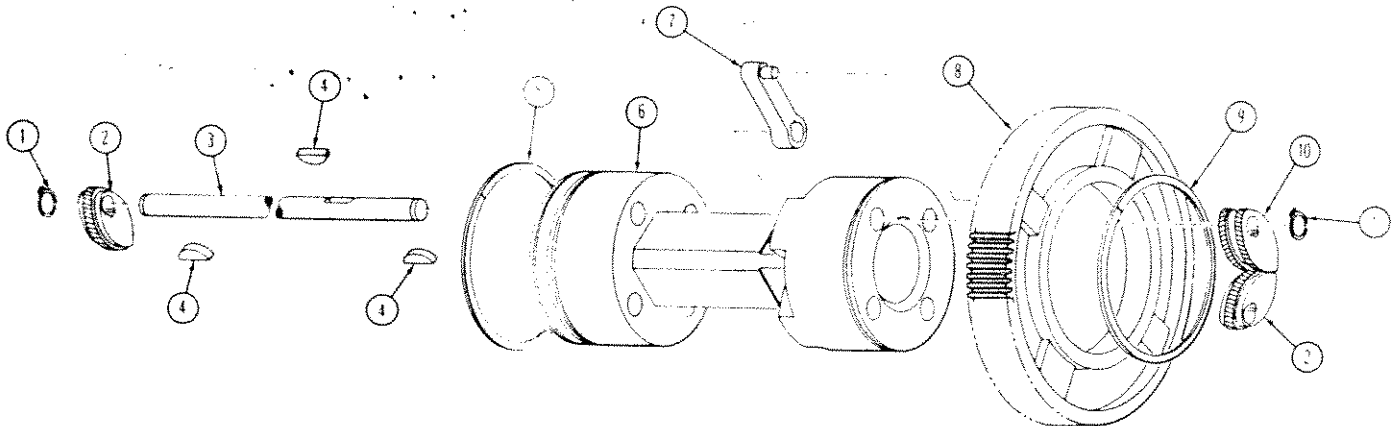
STANDARD SPINDLE ASSEMBLY NO. 4220



- | | | | |
|---------------|---------------------------------------|-------------|-------------------------------------|
| 1. Y-5100-100 | Ring, Jaw Retaining (8) | 6. 4225 | Spindle |
| 2. 4214-1 | Jaw, Pipe (8) | 7. 4212 | Lever and Pin Assy., Jaw (4) |
| 3. W-810 | Key, Woodruff, Jaw Lever, 1/4"x1 1/4" | 8. 4217 | Gear, Spindle |
| 4. 4211 | Shaft, Jaw (4) | 9. YKSA-850 | Ring, Spindle Retaining, Front |
| 5. YKSA-850 | Ring, Spindle Retaining, Rear | 10. W-810 | Key, Woodruff, Jaw, 1/4"x1 1/4" (8) |

*Order No. 12461 & 12462 for Bolt Threading (See Below)

RIGHT AND LEFT SPINDLE ASSEMBLY NO. 12789



- | | | | |
|---------------|---------------------------------|-------------|-----------------------------|
| 1. Y-5100-100 | Ring, Jaw Retaining (8) | 7. 12790 | Lever & Pin Assy., Jaw |
| 2. 12461 | Jaw, Reversible, Single (4) | 12464 | Lever |
| 3. 12529 | Shaft, Jaw (4) | 4212-2 | Pin |
| 4. W-810 | Key, Woodruff, 1/4"x1 1/4" (12) | 8. 12463 | Gear, Spur, Spindle |
| 5. YKSA-850 | Ring, Spindle Retaining | 9. YKSA-850 | Ring, Spindle Retaining |
| 6. 4225 | Spindle | 10. 12462 | Jaw, Reversible, Double (4) |