

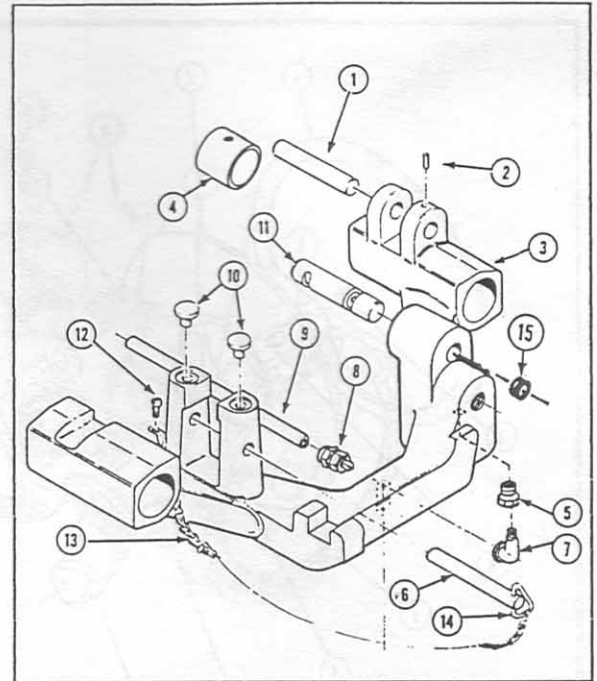
## CARRIAGE & CONE REAMER ASSEMBLIES

### STANDARD CARRIAGE #22051

ITEM	PART No.	DESCRIPTION	REQ'D
1	O-509	PIN, DOWEL, 3/8 x 2"	1
2	H-104-D	SETSCREW, 1/4-20 x 3/8"	1
3	10051	CARRIAGE, STANDARD	1
4	22053	STOP, CARRIAGE	1
5	12893	BUSHING, PIPE REDUCER, 1/4-1/8 NPT	1
7	04556P	ELBOW, STREET, PIPE, 1/8x1/8x90	1
8	22085	CONNECTOR, TUBE, 1/8 x 3/8	1
9	22092	TUBE, TELESCOPIC OIL LINE	1
10	22054	PIN, DIE HEAD REST	2
11	22052	PIN, DIE HEAD HOLDING	1
15	13140	Pipe Plug	1

### R&L CARRIAGE #22051RL

ITEM	PART No.	DESCRIPTION	REQ'D
1	O-509	PIN, DOWEL, 3/8 x 2"	1
2	H-104-D	SETSCREW, 1/4-20 x 3/8"	1
3	10051RL	CARRIAGE, RIGHT & LEFT	1
4	22053	STOP, CARRIAGE	1
5	12893	BUSHING, PIPE REDUCER, 1/4-1/8 NPT	1
6	13333	PIN, LOCKING, DIE HEAD	1
7	04556P	ELBOW, STREET, PIPE, 1/8x1/8x90	1
8	22085	CONNECTOR, TUBE, 1/8 x 3/8	1
9	22092	TUBE, TELESCOPIC OIL LINE	1
10	22054	PIN, DIE HEAD REST	2
11	22052	PIN, DIE HEAD HOLDING	1
12	NF-503-F	SCREW, CHAIN ATT., #10-24 x 1/2"	1
13	12177-5	CHAIN, 5" LONG	1
14	12179	RING, "D", SPLIT	1
15	13140	Pipe Plug	1



### CONE REAMER ASSEMBLY #10060

ITEM	PART NO.	DESCRIPTION	REQ'D
1	13212	CONE REAMER, 5-FLUTE	1
2	10065	HOLDER, CONE REAMER	1
3	02139-1	SPACER, ATTACHING SCREW	1
4	F-607-S	SCREW, REAMER ATTACHING	1
5	01652	KNOB, CONE REAMER	1
6	U-717	PIN, SPRING, 3/16"x1 1/4"L.	1

