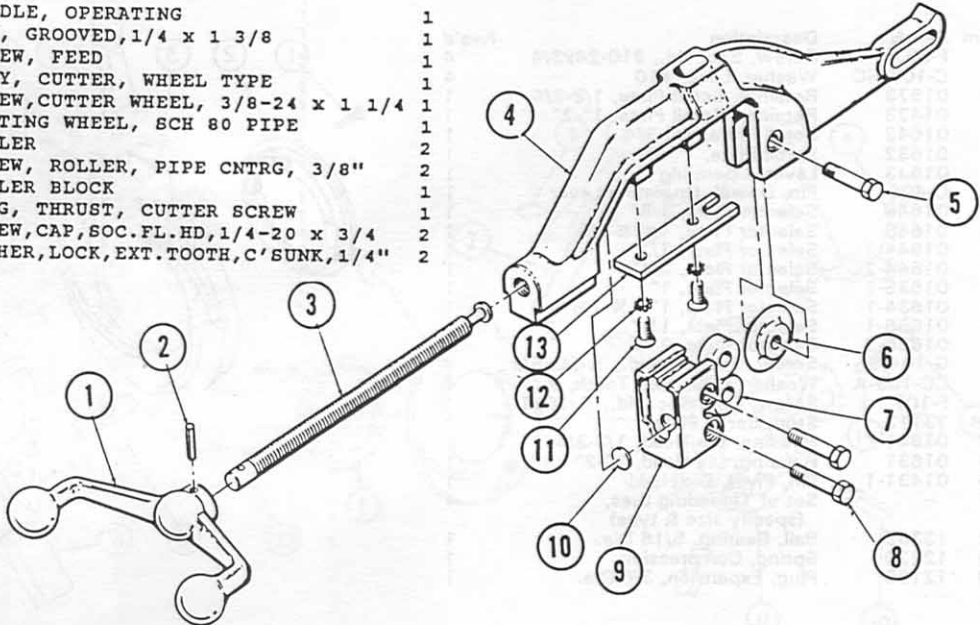


SM-300 CUTTER & WHEELED TRANSPORTER ASSEMBLIES

CUTTER ASSEMBLY 1/8-2 #10070

ITEM	PART NO.	DESCRIPTION	REQ'D
1	01111	HANDLE, OPERATING	1
2	P-9061-A	PIN, GROOVED, 1/4 x 1 3/8	1
3	10073	SCREW, FEED	1
4	10071	BODY, CUTTER, WHEEL TYPE	1
5	01124	SCREW, CUTTER WHEEL, 3/8-24 x 1 1/4	1
6	01128	CUTTING WHEEL, SCH 80 PIPE	1
7	10075	ROLLER	2
8	10074	SCREW, ROLLER, PIPE CNTRG, 3/8"	2
9	10072	ROLLER BLOCK	1
10	10077	PLUG, THRUST, CUTTER SCREW	1
11	E-105	SCREW, CAP, SOC. FL. HD, 1/4-20 x 3/4	2
12	CD-109-A	WASHER, LOCK, EXT. TOOTH, C'SUNK, 1/4"	2



WHEELED TRANSPORTER ASSEMBLY #10400

ITEM	PART NO.	DESCRIPTION	REQ'D
1	01961	TIRE, PNEUMATIC, 12"	2
2	10401	BRACKET, AXLE	2
3	10404	BAR, EXTENSION	2
4	10402	ROD, CONNECTING, AXLE BRACKET	1
5	T-129	PIN, COTTER	2
6	DA-209-NP	WASHER, FLAT, 3/4"	4
7	10406	SPACER, AXLE	2
9	10403	AXLE	2
10	U-918	PIN, SPRING, 1/4"x1 1/2"L.	2
11	H-203-D	SETSCREW, 5/16-18x3/8"L.	4
12	22009	CLIP, DOLLY RETAINING	1

