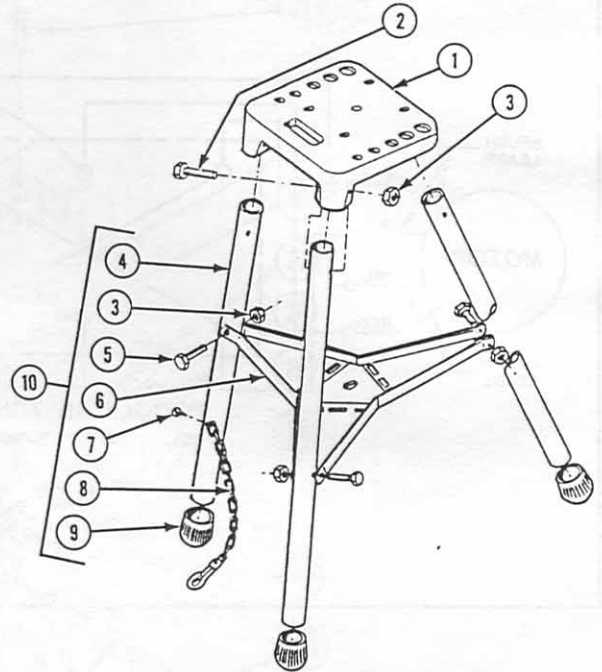


SM-300 MACHINE STANDS

TRI-STAND #22650

Item	Part No.	Qty	Description
1.	22510	1	Base Plate
2.	A-311-P	3	Screw, SocHdCap, 3/8-16 x 2 1/2
3.	B-103-SP	6	Nut, 3/8-16
4.	22641	3	Leg
5.	A-310-P	3	Screw, SocHdCap, 3/8-16 x 2 1/4
6.	22642	1	Tray Assembly, Folding
7.	NF-502-F	1	Screw, S-Tap, Slotted Pan Hd, #10-24 x 3/8
8.	22643	1	Chain with Hook
9.	10181	3	Cap, Rubber
10.	22640	1	Tri-Stand and Tray Assembly (Includes Items 3-9.)



FOLDING STAND #05610

Item	Part No.	Qty	Description
1.	12668	1	Knob, Plunger
2.	51203	1	Retainer, Plunger
3.	17474	1	Spring, Plunger
4.	17473	1	Plunger, Positioning
5.	17485	2	Bracket, Machine Mtng
N/S	G-204	8	Screw, Bracket Mtng
6.	17580	2	Spring, Extension
7.	17599	1	Axle
8.	01961	2	Wheel, 12"
9.	20256	2	Grip, Handle
10.	05610-2	2	Bracket, Guide
N/S	F-103	4	Screw, Guide Brkt Mtng

N/S - Not Shown

