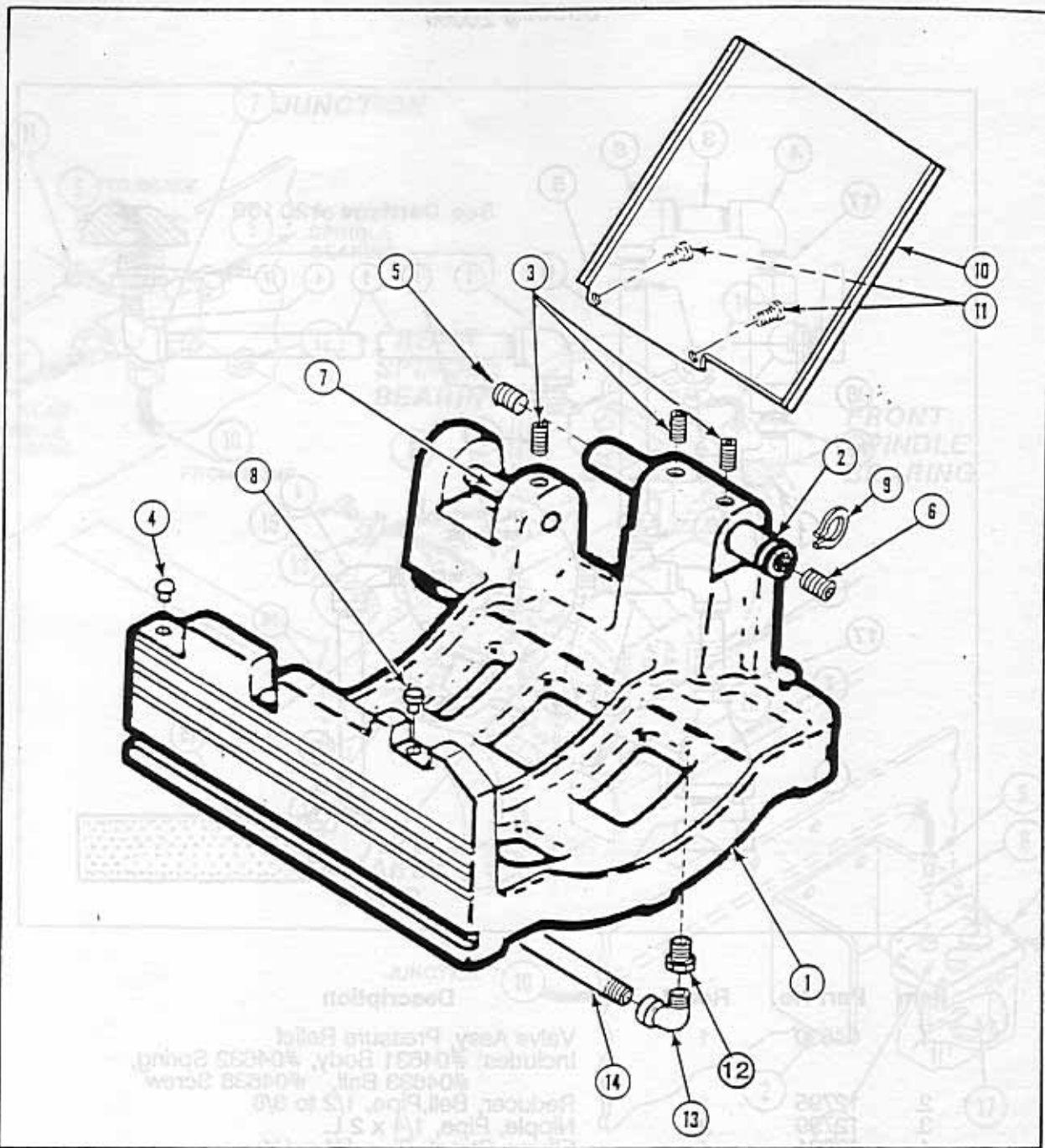


# CARRIAGE & OIL TUBE ASSEMBLY #20150



Item	Part No.	Req'd	Description
1.	20151	1	Carriage
2.	20152	1	Pin, Die Head & Reamer Holding
3.	H-205-D	3	Setscrew, 5/16-18 x 1/2
4.	04655	1	Pin, Cutter Rest
5.	H-305	1	Setscrew, 3/8-16 x 1/2
6.	13140	1	Plug, Pipe, 1/8-27. NPT
7.	20157	1	Pin, Cutter Pivot
8.	01572	1	Pin, Die Head Rest
9.	Y-5100-87	1	Ring, Retaining, Reamer
10.	20156	1	Shield, Oil Drip
11.	NF-503-F	2	Screw, S-Tap, #10-24 x 1/2
12.	12892	1	Bushing, Pipe Reducer, 3/8 to 1/4 NPT.
13.	12891	1	Elbow, Street, Pipe, 1/4 x 1/4 x 90 Deg.
14.	20158	1	Nipple, Pipe, 1/4 x 20 L