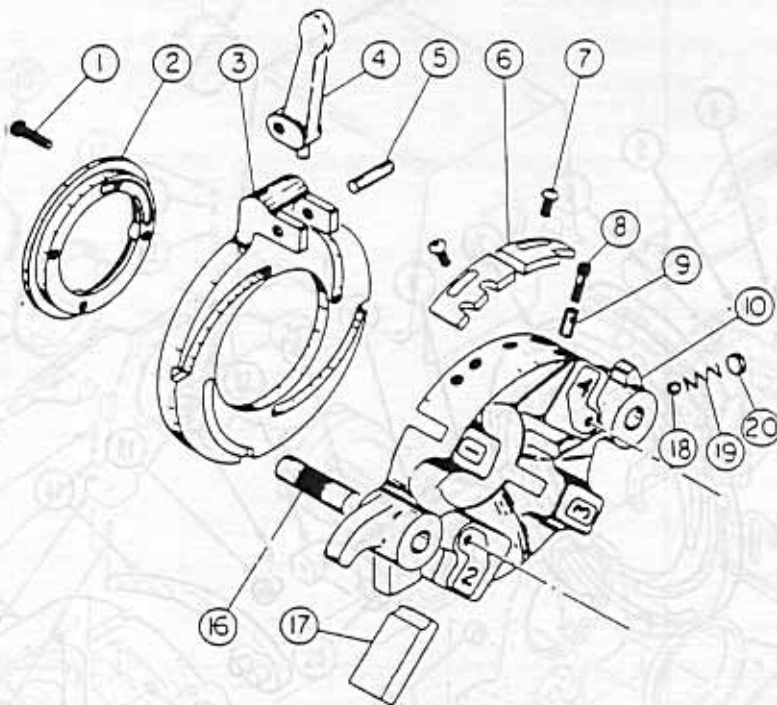


# SNAP-O-MATIC DIE HEAD ASSEMBLIES

1/2 - 3/4" - #12922, 1 - 2" - #12925



Item	Part No.	Description	Req'd
1	F-053	Screw, Soc. Hd., #10-24x3/4	4
1	C-107-HC	Washer, Lock, #10	4
2	01673	Retainer, Scroll Plate, 1/8-3/4	1
2	01433	Retainer, Scroll Plate, 1"-2"	1
3	01642	Scroll Plate, 1/8-3/4	1
3	01632	Scroll Plate, 1"-2"	1
4	01633	Lever, Operating	1
5	O-406	Pin, Dowel, Operating Lever	1
6	01646	Selector Plate, 1/8"	1
6	01645	Selector Plate, 1/4 & 3/8"	1
6	01644-1	Selector Plate, 1/2"	1
6	01644-2	Selector Plate, 3/4"	1
6	01635-1	Selector Plate, 1"	1
6	01634-1	Selector Plate, 1"-1 1/4-1 1/2	1
6	01636-1	Selector Plate, 1 1/2"	1
6	01636-2	Selector Plate, 2"	1
7	G-104-S	Screw, Soc. But Hd., 1/4-20x5/8	4
7	CC-109-A	Washer, Lock, Ext. Tooth, 1/4"	4
8	F-107	Screw, Cap, Soc. Hd., 1/4-20x1"	1
9	13113	Stop, Scroll Plate	1
10	01641	Housing, Die Head, 1/8-3/4	1
10	01631	Housing, Die Head, 1"-2"	1
16	01431-1	Pin, Pivot, Die Head	1
17	--	Set of Threading Dies, (specify size & type)	1
18	13385	Ball, Bearing, 5/16 Dia.	1
19	12220	Spring, Compression	1
20	12135	Plug, Expansion, 3/8 Dia.	1