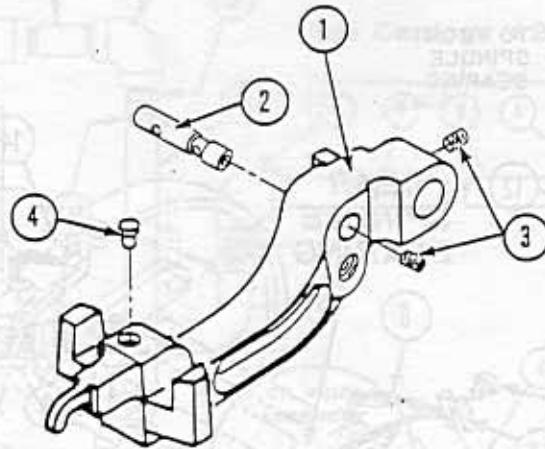


# SMALL DIE HEAD ADAPTER

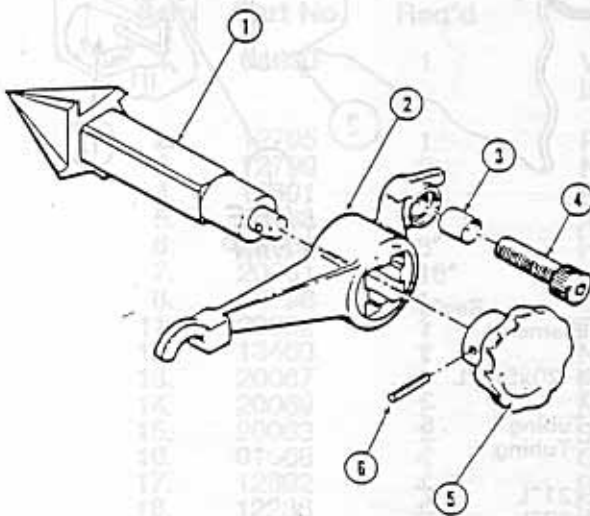
#20180



Item	Part No.	Description	Req'd
1	20154	Adapter, Small Die Hd.	1
2	12886	Pin, Adapter, Small Die Hd.	1
3	13140	Plug, Pipe, Hx. Soc. 1/8-27 NPT	2
4	01572	Pin, Die Hd. Rest	1

# CONE REAMER ASSEMBLY, 1/8-2"

PART NO. #10060



ITEM	PART NO.	DESCRIPTION	REQ'D
1	13212	CONE REAMER, 5-FLUTE	1
2	10065	HOLDER, CONE REAMER	1
3	02139-1	SPACER, ATTACHING SCREW	1
4	F-607-S	SCREW, REAMER ATTACHING	1
5	01652	KNOB, CONE REAMER	1
6	U-717	PIN, SPRING, 3/16"x1 1/4"L.	1