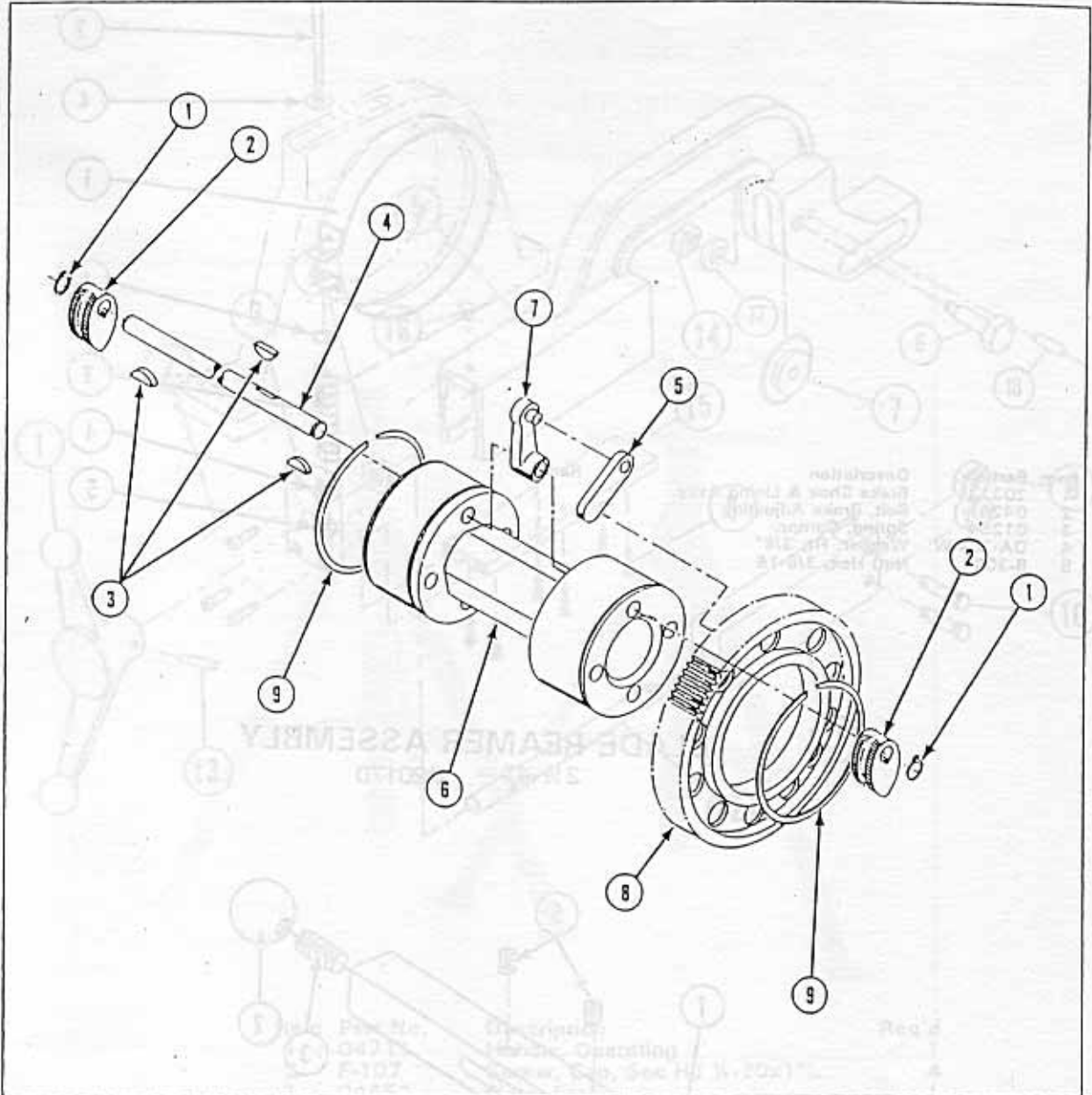


WHEEL TYPE CUTTER ASSEMBLY

SPINDLE ASSEMBLY

20054



Item	Part No.	Req'd	Description
1.	Y-5100-75	8	Ring, Retaining, Ext.
2.	20305	8	Jaw, Chuck, Reversible
3.	W-808	12	Key, Woodruff, 1/4 x 1 D.
4.	20306	4	Shaft, Jaw
5.	20205	4	Link, Jaw Lever
6.	20307	1	Spindle
7.	20303	4	Lever, Jaw, Spindle
8.	20302	1	Gear, Spur, Spindle, 169T.
9.	YKSA-775	3	Ring, Retaining, Ext.