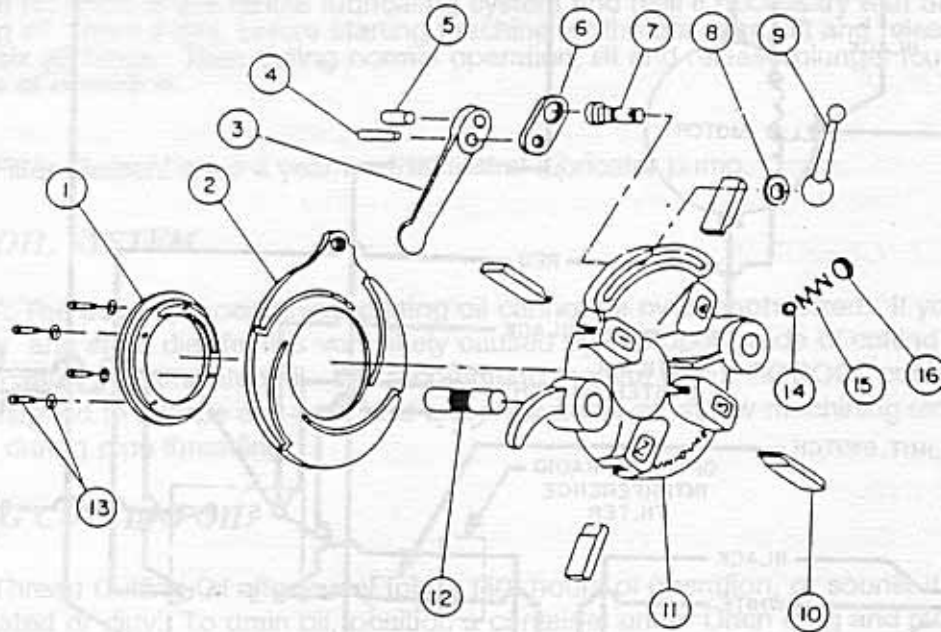


# UNIQUAD DIE HEAD ASSEMBLY

1/2 - 2" - #12914



Item	Part No.	Description	Req'd
1	01433	Retainer, Scroll Plate	1
2	01432	Scroll Plate, Uniquad	1
3	01437	Lever, Operating	1
4	O-407	Pin, Dowel, 5/16x1 1/2	1
5	O-703	Pin, Dowel, 1/2x1 1/4	1
6	02183	Link, Operating Lever	1
7	02182	Screw, Link Pivot	1
8	DA-204-N	Washer, Flat, 3/8"	1
9	01436	Lever, Locking, Scroll Plate	1
10	-	Set of Threading Dies (specify size & type)	1
11	01431	Housing, Die Head	1
N/S	O-202	Pin, Dowel, 3/16x5/8	2
12	01431-1	Pin, Die Head	1
13	F-053	Screw, Cap, Soc. Hd; #10-24x3/4	4
13	C-107-HC	Washer, Lock, Hal, Spring, #10	4
14	13385	Ball, Bearing, 5/16 DIA	1
15	12220	Spring, Compression	1
16	12135	Plug, Expansion, 3/8"	1