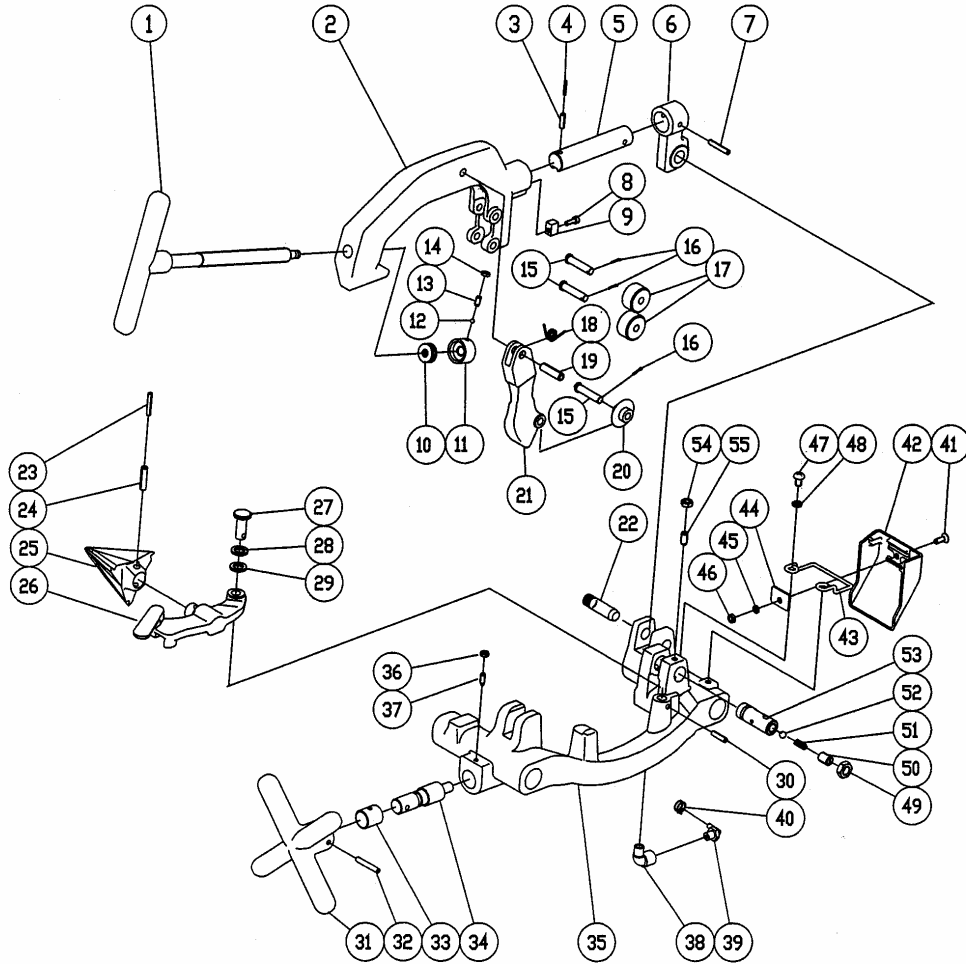


# SUPERTRONIC 3 SE

Stand / dated: 05/04

Rohrabschneider, Arbeitsschlitten, Entgrater / Pipe Cutter, Carriage and Reamer



## SUPERTRONIC 3 SE

Stand / dated: 05/04

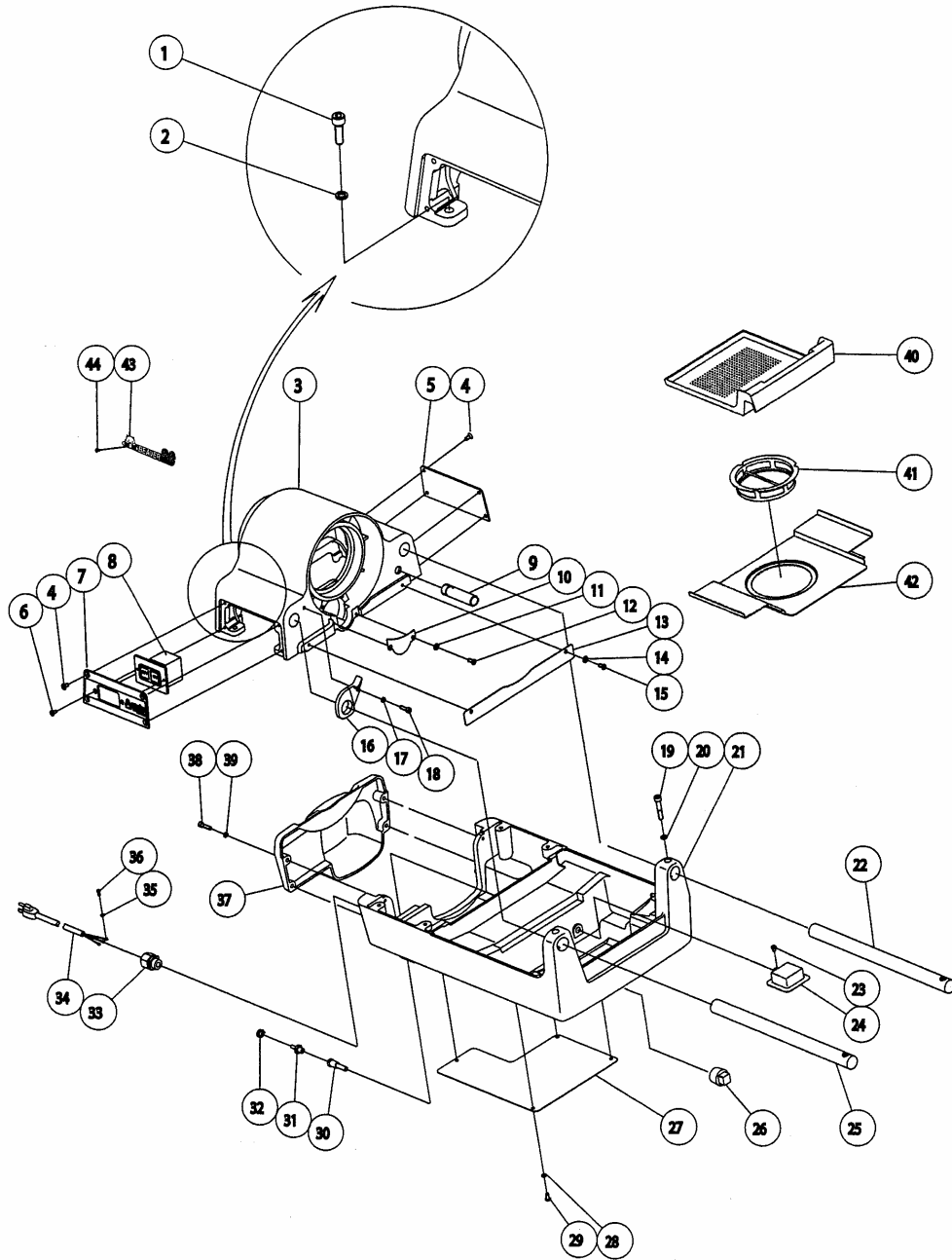
### Rohrabschneider, Arbeitsschlitten, Entgrater / Pipe Cutter, Carriage and Reamer

Nr. / No.	Bezeichnung	Description	Menge /QTY.	Art.-Nr / No.
set	Rohrabschneider kpl.	Pipe Cutter Assembly (1-21)	1	8.1729
1	Handrad mit Spindel	Cutter Handle Complete	1	8.1730
2	Rohrabschneiderkörper	Cutter Body	1	8.1702
3	Spannstift D= 6x20L	Spring Pin D=6x20L	1	8.4191
4	Spannstift D= 3,5x20L	Spring Pin D=3,5x20L	1	8.1607
5	Bolzen, Rohrabschneider	Cutter Guide Bar	1	8.1705
6	Halter, Rohrabschneider	Cutter Bracket	1	8.1706
7	Spannstift D=6x36L	Spring Pin D=6x36L	1	8.5778
8	Schraube 5x15	Hex Socket Bolt M5x15L	1	8.5862
9	Führungsklotz, Rohrabschneider	Cutter Key	1	8.5861
10	Drucklager 51100	Thrust Bearing 51100	1	8.8067
11	Druckhülse	Feed Screw Head	1	8.3396
12	Stahlkugel 3/16"	Steel Ball 3/16 "	1	8.3485
13	Stiftschraube M6x12	Hex Socket Set Bolt M6x12L	1	8.3510
14	Sechskantmutter M6	Nex Nut M6	1	8.4169
15	Gleitbolzen, Schneidrad / Druckrollen	Cutter Blade Set Pin	3	8.3308
16	Splint D=2x15L	Split Pin D=2x15L	3	8.3754
17	Druckrollen, Rohrabschneider	Cutter Roller	2	8.3156
18	Schenkelfeder	Bracket Spring	1	8.3752
19	Spannstift D=10x36L	Spring pin D=10x36L	1	8.5757
20	Schneidrad Spezial Stahl	Cutter Blade No3	1	7.0074
21	Schneidradhalter	Cutter Blade Holder	1	8.1707
22	Bolzen, Rohrabschneider	Cutter Pin	1	8.1708
set	Entgrater kpl.	Reamer Assembly (23-25)	1	8.1731
23	Spannstift D=5x32L	Spring Pin D=5x32L	1	8.1619
24	Spannstift D=8x32L	Spring Pin D=8x32L	1	8.5791
25	Entgraterkopf	Reamer Blade	1	5.6199
26	Entgraterarm	Reamer Holder	1	8.1728
27	Befestigungsbolzen, Entgrater	Holder Pin	1	8.5788
28	Federring 12	Spring Washer M12	1	8.5789
29	U-Scheibe 12	Plain Washer S M12	1	8.5790
30	Spannstift D=6x24L	Spring Pin D=6x24L	1	8.6876
set	Handrad kpl. (31-33)	Rack Handle Complete (31-33)	1	8.1630
31	Handrad	Rack Handle	1	8.1631
32	Spannstift D=6x40L	Spring Pin D=6x40L	1	8.5916
33	Hülse	Pinion Metal	1	8.5875
34	Zahnwelle	Rack Pinion	1	8.4121
35	Arbeitsschlitten	Carriage	1	8.1653
36	Sechskantmutter M6	Hex Nut M6	1	8.4169
37	Stiftschraube M6x22L	Hex Socket Set Bolt M6x22L	1	8.6871
38	Winkelstück	Street Elbow	1	8.1673
39	Winkelstück WE8xPT1/4	Elbow WES8xPT1/4	1	8.1661
40	Schlauchklemme D=12	Hose Clamp D=12	1	8.1657
41	Spritzschutz	Splashpooof Plate	1	8.1644
42	Schraube 6x15	Flat Head Screw M6x15L(Parker)	1	8.1642
43	Spritzschutzhalter	Splashpooof Plate Holder	1	8.1645
44	U-Platte	Holder Plate	1	8.6899
45	Federring 6	Spring Washer CM6	1	8.1621
46	Sechskantmutter M6	Hex Nut M6	1	8.4169
47	Schraube M8x12	Pan Head Screw M8x12L	2	8.1624
48	Federring 8	Spring Washer CM8	2	8.1625
49	Sechskantmutter M12	Hex Nut M12	1	8.1032
50	Oel- Einstellschraube	Oil Adjust Screw	1	8.6783
51	Feder, Öleinstellung	Oil Adjust Spring	1	8.3327
52	Stahlkugel 5/16"	Steel Ball 5/16	1	8.5805
53	Haltebolzen, Schneidkopf	Die Head Set Pin	1	8.5886
54	Sechskantmutter M8	Hex Nut M8	1	8.3789
55	Stiftschraube M8x15L	Hex Socket Set Bolt M8x15L	1	8.6875

# SUPERTRONIC 3 SE

Stand / dated: 05/04

Gehäuse / Frame, Spindle Case



## SUPERTRONIC 3 SE

Stand / dated: 05/04

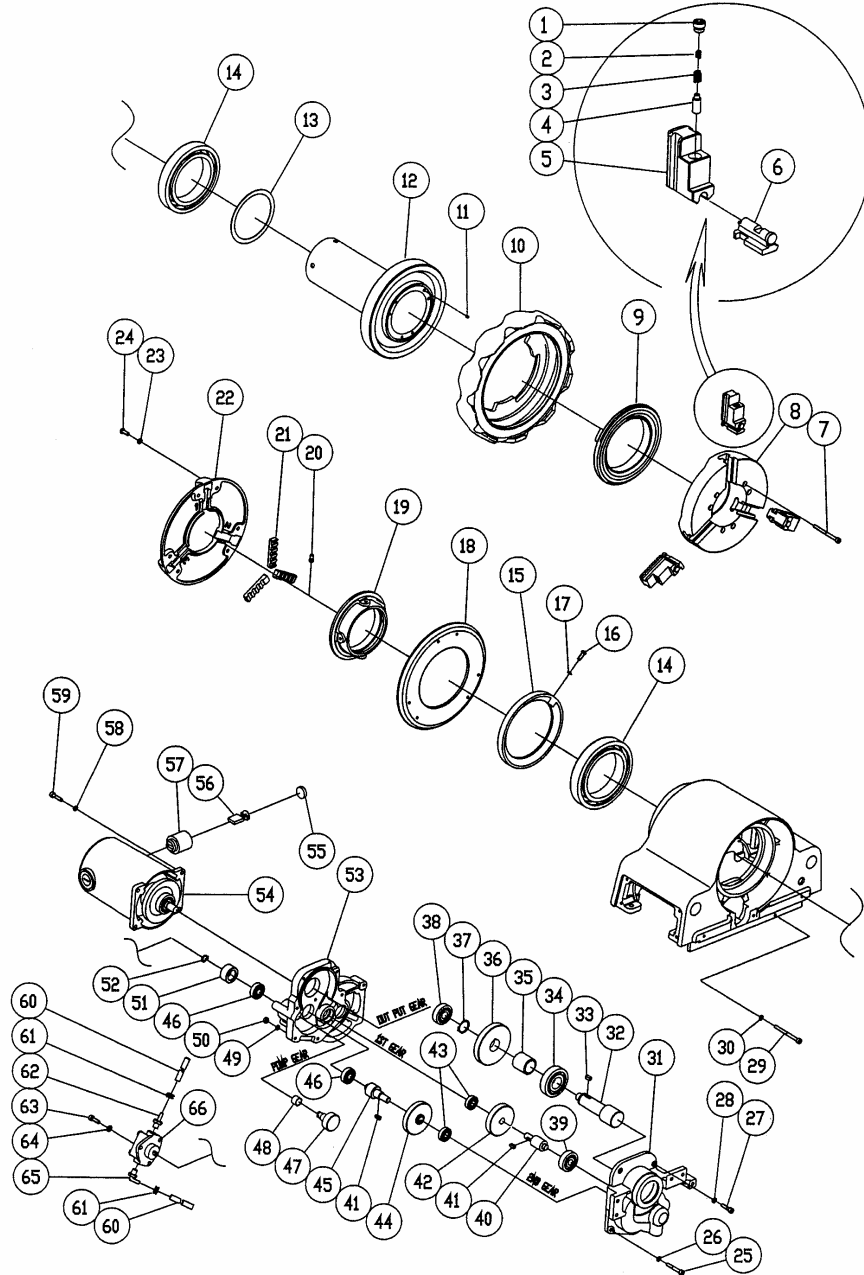
### Gehäuse / Frame, Spindle Case

Nr./ No.	Bezeichnung	Description	Menge / QTY	Art.Nr. / No
1	Schraube M8x25	Hex Socket Bolt M8x25L	4	8.3738
2	Federring 8	Spring Washer CM8	4	8.1625
3	Spindelgehäuse	Spindle Case	1	8.1674
4	Schraube M6x10	Flat Head Screw M6x10L	8	8.1633
5	Typenschild 220V-240V	Machine Plate 220V-240V	1	8.1675
5	Typenschild 100V-120V	Machine Plate 100V-120V	1	8.1676
6	Schraube 3x6	Flat Head Screw M3x6L	2	8.1634
7	Schalterplatte	Switch Plate	1	8.1677
8	Schalter BEH2302	Switch BEH2302	1	8.1638
9	Schutzschlauch	Hose Protection Pipe	1	8.1678
10	Abdeckblech	Gear Cover	1	8.1679
11	Federring 6	Spring Washer CM6	2	8.1621
12	Schraube 6x12	Pan Head Screw M6x12L	2	8.1648
13	Schutzblech	Oil Cover	1	8.1680
14	Federring 6	Spring Washer CM6	2	8.1621
15	Schraube 6x12	Pan Head Screw M6x12L	2	8.1648
16	Anschlag	Outer Ring Spacer	1	8.1681
17	Federring 6	Spring Washer CM6	1	8.1621
18	Schraube M6x18	Hex Socket Bolt M6x18L	1	8.3501
19	Schraube M8x45	Hex Socket Bolt M8x45L	2	8.5979
20	Federring 8	Spring Washer CM8	2	8.1625
21	Gehäuseunterteil	Frame	1	8.1682
22	Gleitstange hinten	Guide Bar R	1	8.1683
23	Schraube 6x12	Pan Head Screw M6x12L	1	8.1648
24	Ölfiter	Filter	1	8.4188
25	Gleitstange vorne	Guide Bar F	1	8.1684
26	Ölablassschraube	Plug1"	1	8.1685
27	Bodenplatte	Frame Under Cover	1	8.1686
28	Federring 6	Spring Washer CM6	4	8.1621
29	Schraube 6x12	Pan Head Screw M6x12L	4	8.1648
30	Ansaugnippel	Suction Pipe	1	8.1666
31	Schraubnippel GES8xPT1/4	Connector GES8xPT1/4	1	8.1658
32	Schlauchklemme D=12	Hose Clamp D=12	1	8.1657
33	Kabelverschraubung	Cord Connector OA-W1611	1	8.6902
34	Netzkabel 220V-240V	Power Cord 220V-240V	1	8.1687
34	Netzkabel 100V-120V	Power Cord 100V-120V	1	8.1667
35	Zahnscheibe 6	Tooth Look Washer M6	1	8.1668
36	Schraube M6x8	Pan Head Screw M6x8L	1	8.1669
37	Motorabdeckung	Motor Cover	1	8.1688
38	Schraube 6x20	Hex Socket Bolt M6x20L	4	8.3782
39	Federring 6	Spring Washer CM6	4	8.1621
40	Spänewanne	Chip Pan	1	8.1690
41	Ölsieb	Strainer	1	8.4636
42	Ölwannendeckel	Oil Tank Lid	1	8.1691
43	Namensschild	Name plate	1	8.1692
44	Schneidschraube M2,5x8	Flat head tapping screw M2,5x8L		8.1628

# SUPERTRONIC 3 SE

Stand / dated: 05/04

Spannfutter, Arbeitsspindel / Hammer chuck, Scroll and Gears



## SUPERTRONIC 3 SE

Stand / dated: 05/04

### Spannfutter, Arbeitsspindel / Hammer chuck, Scroll and Gears

Nr./ No.	Bezeichnung	Description	Menge / QTY	Art.Nr. / No
set	Schnellspannfutter kpl. (1-6,8-10)	Hammer Chuck Complete (1-6,8-10)	1	8.1732
set	Spannbackensatz (1-6) (3 Stück)	Jaw Set Assembly (1-6)	1set	8.1733
set	Spannbackeneinsatz (2,3,4,6) (3 Stück)	Jaws Insert Set (2,3,4,6)	1 set	5.6177
1	Spannbackenschraube	Hammer Chuck Bolt	3	8.1693
2	Spannbackenfeder B	Hammer Chuck Spring B	3	8.1694
3	Spannbackenfeder A	Hammer Chuck Spring A	3	8.1695
4	Spannbackenstift	Hammer Chuck Pin	3	8.1696
5	Spannbackengrundkörpersatz (3 Stück)	Hammer Chuck Jaw Assembly	1 set	8.1697
6	Spannbackeneinsatz (3 Stück)	Jaw Insert Complete	1 set	8.1720
7	Schraube M6x70	Hex Socket Bolt M6x70L	6	8.1606
8	Spannfuttergrundkörper	Hammer Chuck Body	1	8.1613
9	Schneckenring, vorne	Hammer Chuck Scroll	1	8.1735
10	Schlagring	Hammer Chuck Outer Ring	1	8.1615
11	Druckfeder	Pre-Load Spring	6	8.5823
12	Arbeitsspindel kpl.	Spindle Gear Complete	1	8.1626
13	Druckring	Thrust Plate	1	8.6934
14	Kugellager 6020 2RS	Ball Bearing 6020 2RS	2	8.1627
15	Haltering	Scroll Ring	1	8.1660
16	Schraube M6x18	Pan Head Screw M6x18L	1	8.1698
17	Federring 6	Spring Washer CM6	1	8.1621
set	Zentrierfutter kpl. (18-24)	Scroll Assembly (18-24)	1	8.1736
18	Zentrierfutterdeckel, innen	Scroll Cap	1	8.1699
19	Zentrierfutter	Scroll	1	8.1700
20	Schraube, Zentrierfutter	Scroll Stop Bolt	4	8.6929
21	Zentrierbackensatz (3 Stück)	Scroll Jaw Set	1	8.6928
22	Zentrierfutterdeckel, aussen	Scroll Body	1	8.1737
23	Federring 6	Spring Washer CM6	6	8.1621
24	Schraube M6x18	Pan Head Screw M6x18L	6	8.1698
set	Getriebe kpl.	Drive Complete	1 set	8.1701
25	Schraube M6x40	Hex Socket Bolt M6x40L	1	8.1623
26	Federring 6	Spring Washer CM6	1	8.1621
27	Schraube M6x25	Hex Socket Bolt M6x25L	5	8.1703
28	Federring 6	Spring Washer CM6	5	8.1621
29	Schraube M6x70	Hex Socket Bolt M6x70L	1	8.1606
30	Federring 6	Spring Washer CM6	1	8.1621
31	Getriebedeckel, vorne	Case Cover Bracket	1	8.1738
32	Getriebewelle	Output Shaft Pinion	1	8.1739
33	Passfeder 6X6X13,5	Key 6x6x13	1	8.3344
34	Kugellager 6305 ZZ	Ball Bearing 6305ZZ	1	8.1740
35	Gleithülse	Output Collar	1	8.1741
36	Zahnrad	Output Shaft Reduction Gear	1	8.1742
37	Sicherungsring 25	C Snap Ring S-25	1	8.5837
38	Kugellager 6302 ZZ	Ball Bearing 6302ZZ	1	8.1743
39	Kugellager 6301 ZZ	Ball Bearing 6301ZZ	1	8.6950
40	Getriebewelle	1st Shaft Pinion	1	8.1744
41	Passfeder 5x5x13	Key 5x5x13	2	8.3189
42	Zahnrad	1st Shaft Reduction Gear	1	8.1745
43	Kugellager 6001 ZZ	Ball Bearing 6001ZZ	2	8.8609
44	Zahnrad	2nd Shaft Reduction Gear	1	8.1746
45	Getriebewelle	2nd Shaft Pinion	1	8.1747
46	Kugellager 6201 ZZ	Ball Bearing 6201ZZ	2	8.5902
47	Pumpenantrieb	Pump Gear	1	8.1748
48	Gleithülse	Bush LFB1512	1	8.1749
49	Federring 6	Spring Washer CM6	7	8.1621
50	Mutter M6	U-Nut M6	1	8.1711
51	Pumpenscheibe	Pump Collar	1	8.1751
52	Sicherungsring 12	C Snap Ring S-12	2	8.4072
53	Getriebedeckel, hinten	Spindle Case Cover	1	8.1752
54	Motor 220V-240V	Motor 220V-240V	1	8.1754
54	Motor 100V-120V	Motor 100V-120V	1	8.1753
55	Kohlenkappe	Carbon Cap	2	8.3694
56	Kohlenbürste	Carbon Brush	1 set	8.3690
57	Kohlenhalter	Carbon Holder	2	8.3692
58	Federring 6	Spring Washer CM6	4	8.1621
59	Schraube M6x25	Hex Socket Bolt M6x25L	4	8.1703
60	Ölschlauch WP15	Urethane Hose WP15	2	8.1656
61	Schlauchklemme D=12	Hose Clamp D=12	2	8.1657
62	Schraubnippel	Connector GES8xPT1/4	1	8.1658
63	Schraube M6x18	Hex Socket Bolt M6x18L	3	8.3501
64	Federring 6	Spring Washer CM6	3	8.1621
65	Winkelnippel WE8xPT1/4	Elbow WES8xPT1/4	1	8.1661
66	Ölpumpe SP27AR	Trochoid pump SP27AR	1	8.1755